

CISH

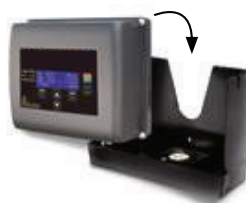
High pressure swimming pool pump

efficiency class

IE3



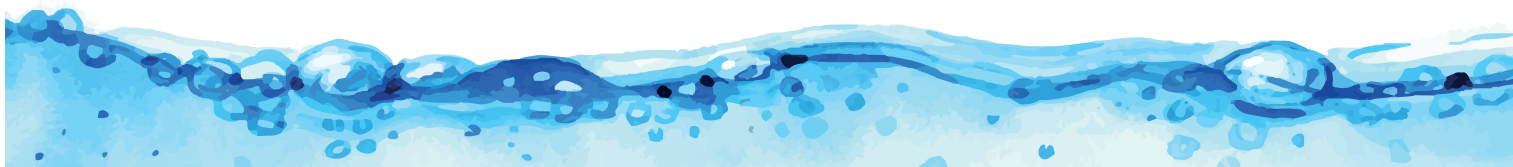
- Made entirely in full cast iron.
- AISI-316 stainless steel shaft.
- Bronze impeller on demand.
- Ideal for high heights filtrations.
- Flange connection from DN-40 to DN-125.
- Large prefilter basket made of AISI-316.
- On demand mechanical seal in silicon carbide.
- Motor and pump shafts connected by coupling.
- Available in vertical version (VERT CISH).
- Stainless steel screws AISI-316.
- IE3 standardized motor at 1450 rpm (1750 rpm @ 60 Hz).
- Lubricated bearings for life.
- IP-55 Grade, Class F Insulation.



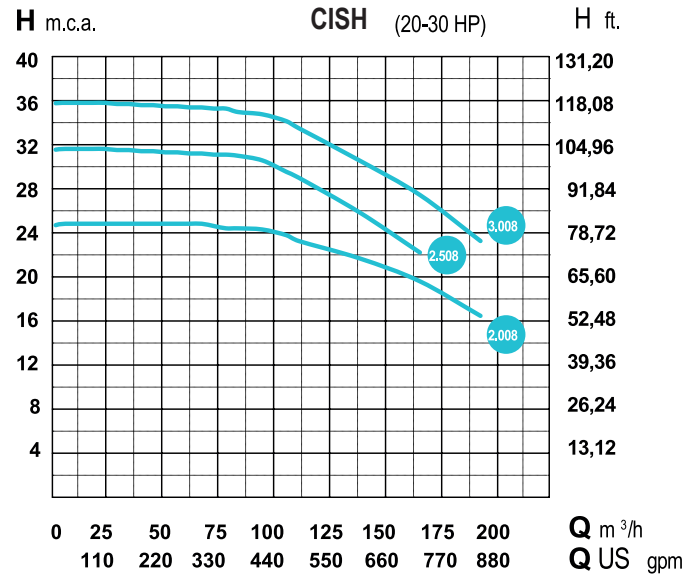
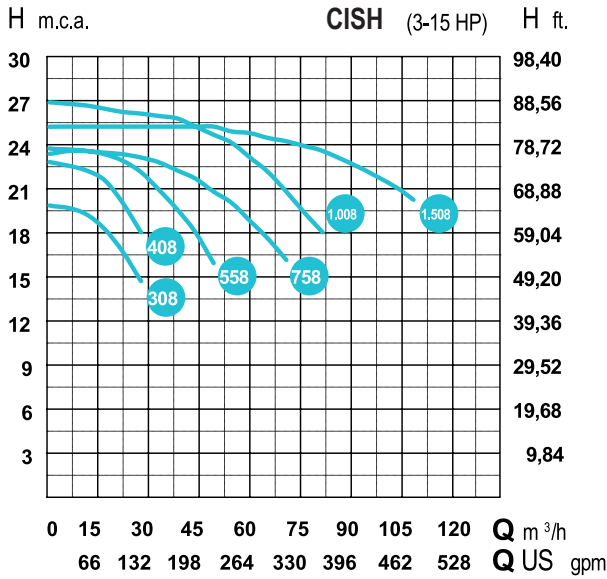
Compatible with inverter pump + wall support



VERT CISH optional

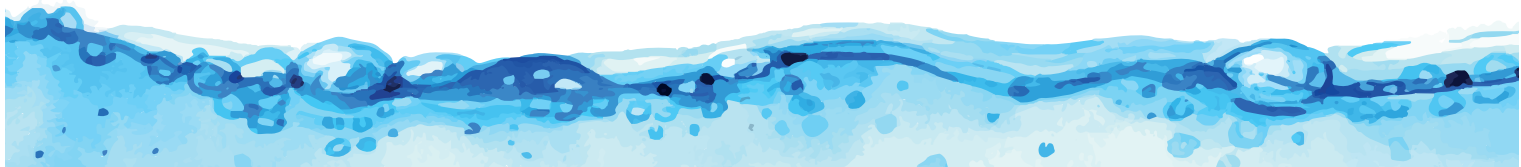
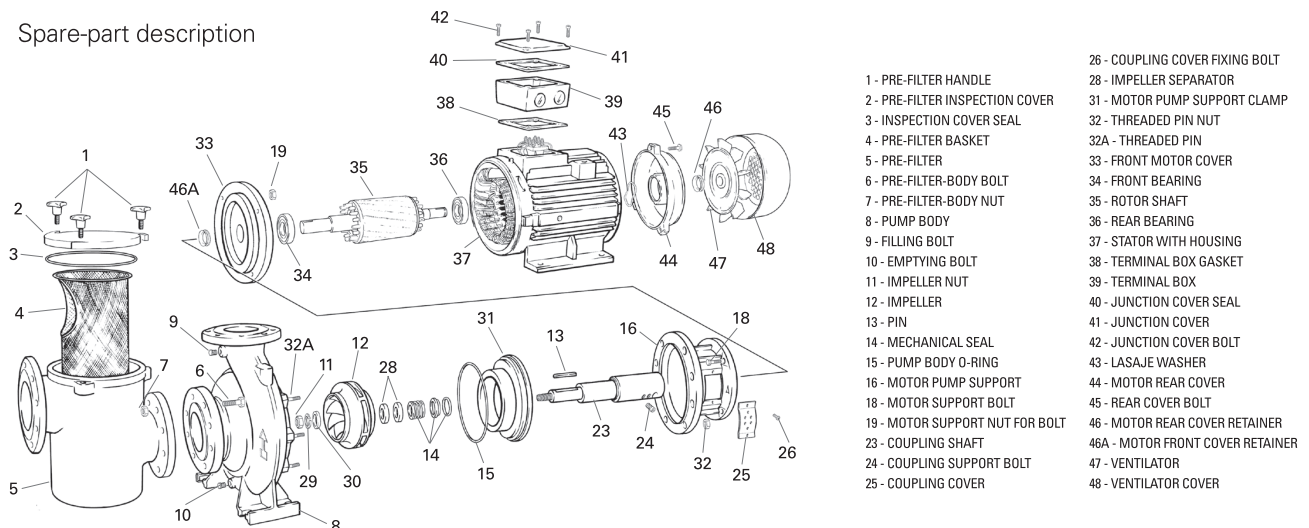


Technical data

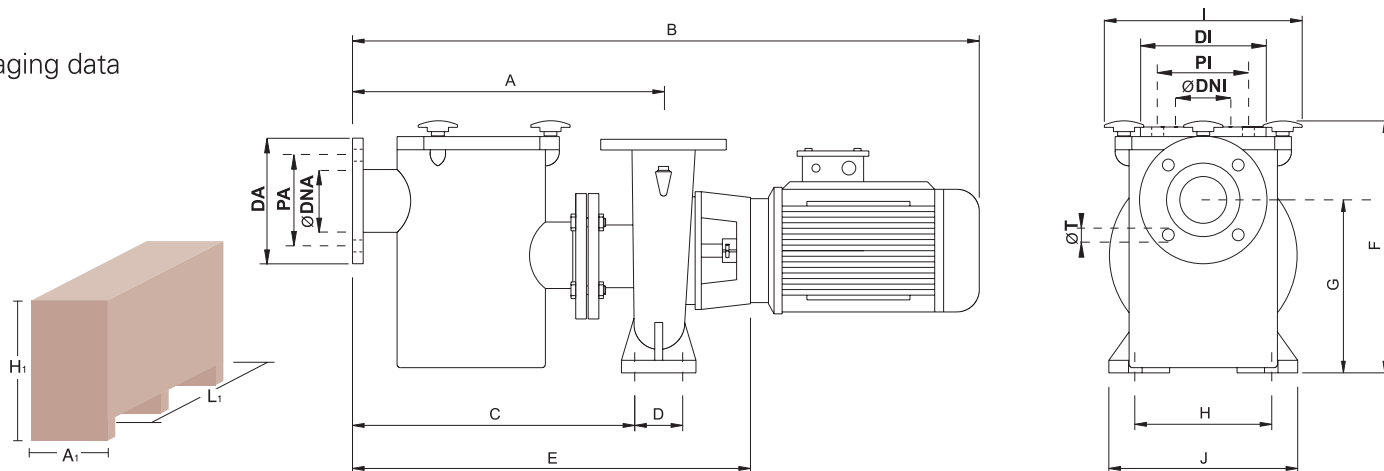


Type	HP	KW	A		Manometric height w.c.m.									
			230V	400V	18	20	22	24	25	27	30	32	35	
CISH-300	3	2,2	9,4	5,5	23	13	-	-	-	-	-	-	-	-
CISH-400	4	3	12,5	6,9	-	27	19	-	-	-	-	-	-	-
CISH-550	5,5	4	17	9,2	51	43	33	-	-	-	-	-	-	-
CISH-750	7,5	5,5	23	12	75	64	50	12	-	-	-	-	-	-
CISH-1000	10	7,5	-	15,5	-	85	75	63	54	-	-	-	-	-
CISH-1500	15	11	-	21,8	-	-	110	90	72	-	-	-	-	-
CISH-2000	20	15	-	32	-	190	160	120	102	-	-	-	-	-
CISH-2500	25	18,5	-	41,5	-	-	-	170	160	140	120	30	-	-
CISH-3000	30	22	-	52	-	-	-	210	200	190	160	135	102	-

Spare-part description



Packaging data



Type	Types a 1.450 r.p.m.										Inlet					Output					Package			kg.
	A	B	C	D	E	F	G	H	I	J	Ø _{DNA}	DA	PA	N°T	ØT	Ø _{DNI}	DI	PI	N°T	ØT	H1	A1	L1	
CISH-300	480	994	432	95	654	415	310	250	260	336	DN 65	185	145	4	16	DN 40	150	110	4	16	515	400	1000	127
CISH-400	480	994	432	95	654	415	310	250	260	336	DN 65	185	145	4	16	DN 40	150	110	4	16	515	400	1000	127
CISH-550	480	994	432	95	654	415	310	250	260	343	DN 65	185	145	4	16	DN 50	165	125	4	16	515	400	1000	139
CISH-750	480	1125	420	120	723	450	330	280	260	370	DN 80	200	160	8	16	DN 65	185	145	4	16	550	400	1200	195
CISH-1000	505	1150	445	120	748	505	355	315	260	429	DN 80	200	160	8	16	DN 65	185	145	4	16	605	450	1200	211
CISH-1500	505	1238	445	120	778	480	315	315	260	410	DN 100	220	180	8	16	DN 80	200	160	8	16	580	450	1300	306
CISH-2000	520	1253	460	120	793	505	340	315	260	424	DN 125	250	210	8	16	DN 100	220	180	8	16	605	450	1300	324
CISH-2500	520	1331	460	120	793	565	365	315	260	478	DN 125	250	210	8	16	DN 100	220	180	8	16	665	500	1400	364
CISH-3000	520	1406	460	120	793	565	365	315	260	478	DN 125	250	210	8	16	DN 100	220	180	8	16	665	500	1500	376

ACQUA SOURCE S.A.

Manufacturer of swimming pool and fountain products

15 Souri str., 121 31 Peristeri, Athens, Greece **Tel. & Fax:** +30 210 5721058, +30 210 5771863, +30 210 5774345 **E-mail:** info@acquasource.gr

www.acquasource.gr

