

EN

Sundance infrared sauna INSTALLATION GUIDE

SUNDANCE

PREFACE

Thank you very much for purchasing our product.

Please read this manual carefully before assembling and save it afterwards. Please write down the control box serial number of the cabin as this number will be required in case of repair or order of spare parts.

ATTENTION

Installation and repair should only be done by a qualified electrician!

Check power supply rating and make sure the grounded outlet is correctly connected before installation.

Use original parts only. Do not share the outlet with any other appliances.

When not in use, turn off the cabin's power unit.

Locate your cabin indoors and on a flat, level and dry surface.

DANGER

Heaters shall not be subjected to water spray; shower heads shall not be installed within the infrared cabin.

Covering the radiator causes a fire hazard due to overheating. Do not cover the heaters !

Keep flammable or easily combustible materials/objects (eg.towels) away from the radiator at all times.

Do not touch the radiator during and shortly after use as a burning hazard exists due to hot parts.

The light bulb heats in use. If the bulb needs to be changed, unplug the cabin and let the bulb cool down before changing it.

Should the electrical connection get damaged, it must be replaced—either by the manufacturer or by a licensed electrician!

WARNING

If you suffer from illness or other health-related problems, especially heart conditions or circulatory disturbances or if you take medication, you should consult a doctor before using the infrared cabin.

Children and frail persons should never be in the cabin without supervision.

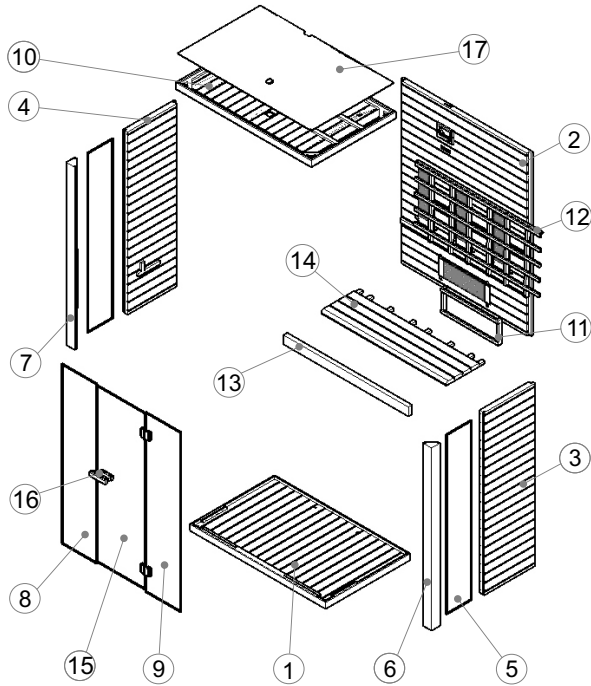
If you feel uncomfortable while using the infrared cabin, stop immediately and consult with your doctor.

Never go to a hot infrared cabin if you have taken alcohol, strong medicines or narcotics.

Technical data

Model	Sundance-A17	
Cabin material	Regular hemlock	
Length	1594 mm	
Width (depth)	993 mm	
Height	1940 mm	
Voltage	230volt 50Hz	
Radiators	Type	Ruby halogen tube radiator & Carbon fiber tube radiator
	Total output	2350W 10.2A
	Back panel	350W x 3
	Front	400W x 2
	Calves	500W x 1

PARTS LIST


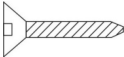


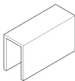


Cabin Individual parts (variations possible)

NO	NAME	Q' TY	Box No
1	Floor panel (1594*993*65mm)	1	3
2	Back panel (1860*1526*43.5mm)	1	1
3	Side panel 1 (1860*595*48mm)	1	2
4	Side panel 2 (1860*595*48mm)	1	2
5	Side glass (1830*294*6)	2	4
6	Upright column 1 (left, 1860*96*96mm)	1	2
7	Upright column 2 (right, 1860*96*96mm)	1	2
8	Front glass 1 (1830*408*6mm)	1	4
9	Front glass 2 (with hole, 1830*408*6mm)	1	4
10	Top panel (1594*993*65mm)	1	3
11	Calves guardrail (670*250*43mm)	1	1
12	Back guardrail (1468*728*43mm)	1	1
13	Bench support panel (1468*90*40mm)	1	1
14	Bench surface panel (1468*450*33mm)	1	1

NO	NAME	Q' TY	Box No
15	Glass door (1798*572*6mm)	1	4
16	Door handle (outside, 180*40*45mm & inside, 120*40*45mm)	2	1
17	MDF cover (1568*967*3mm)	1	3

Hardware parts (variations possible)

				
Rubber strip	Φ 4*40	Φ 4*50	Φ 6*60	Glass clip
17m	21x	16x	2x	1x

ASSEMBLE INSTRUCTIONS

Assemble tips

Please remove transport packaging and inspect that your infrared cabin has been delivered complete and intact before beginning assemble.

A least 2 persons are required for assemble of the cabin

Please check the countersink and hole diameter of the drill holes to avoid damaging the wood. .

The minimum room height required for installation is 2065mm

Tools



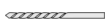
Screwdriver (kit)



Tape measure



Electric drill



Spiral drill (kit)



Hammer



Allen Wrench (kit)



Cutter



Stepladder



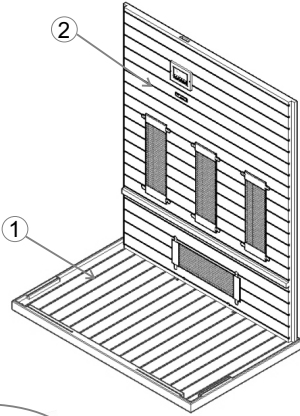
Spirit level



Pencil

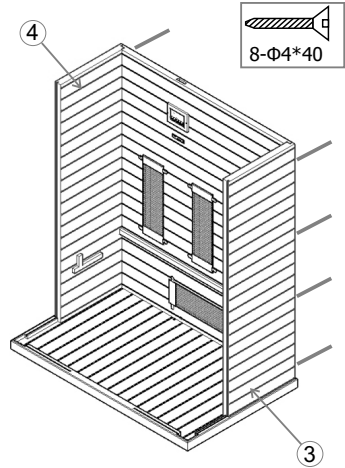
ASSEMBLE INSTRUCTIONS

Assemble steps

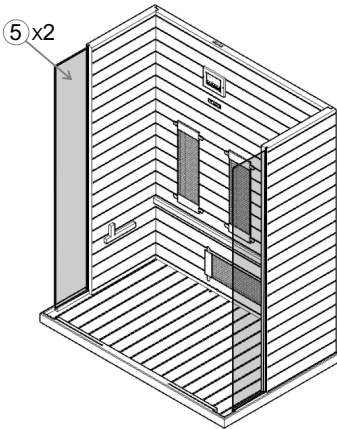


Note: connect front heater cable

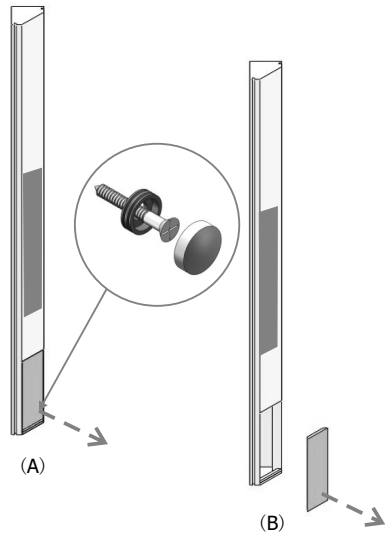
(1)



(2)



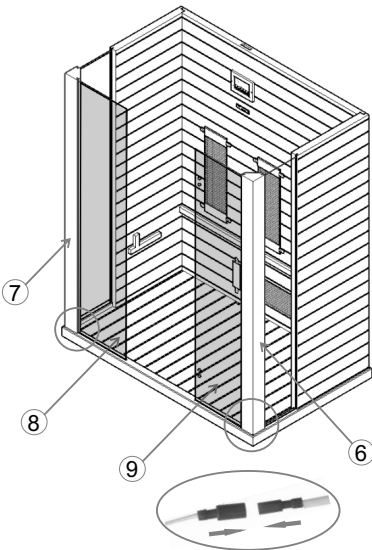
(3)



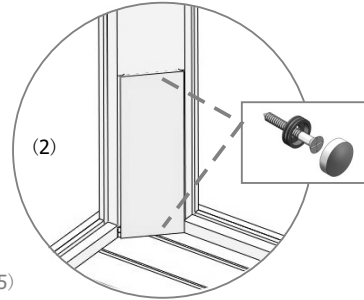
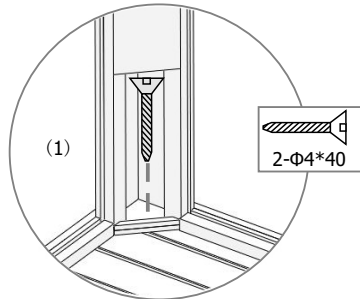
(4)

ASSEMBLE INSTRUCTIONS

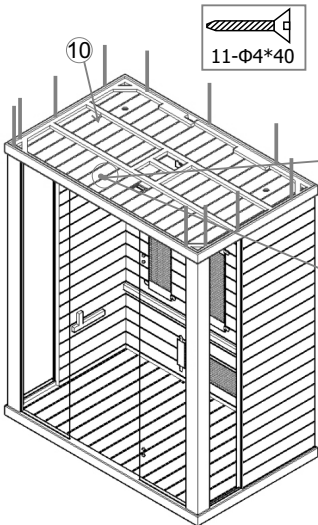
Assemble steps



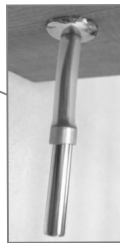
Note: connect front heater cable



(5)

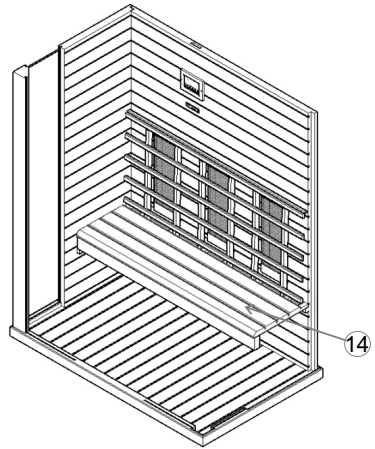
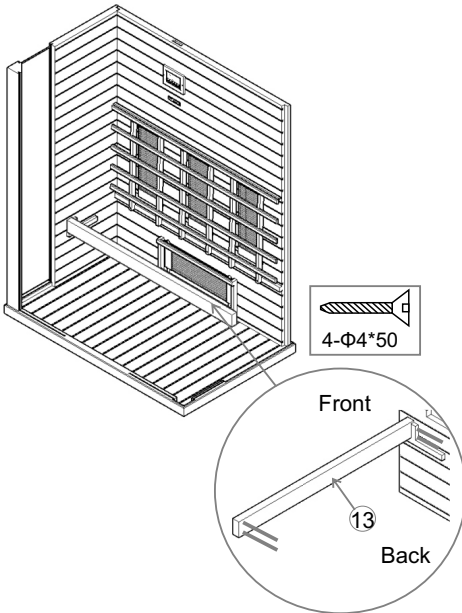
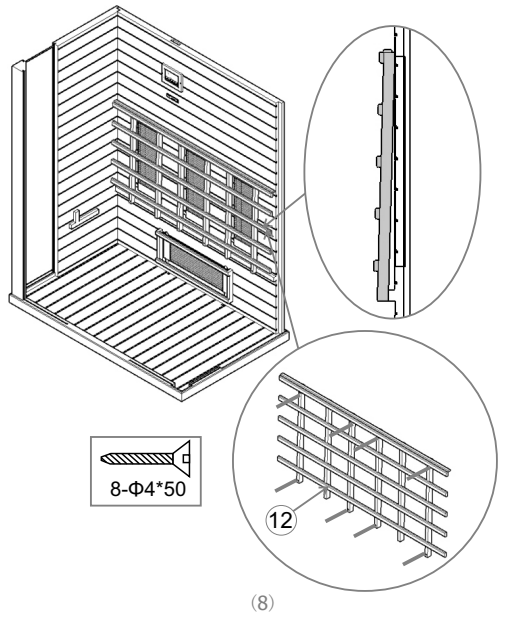
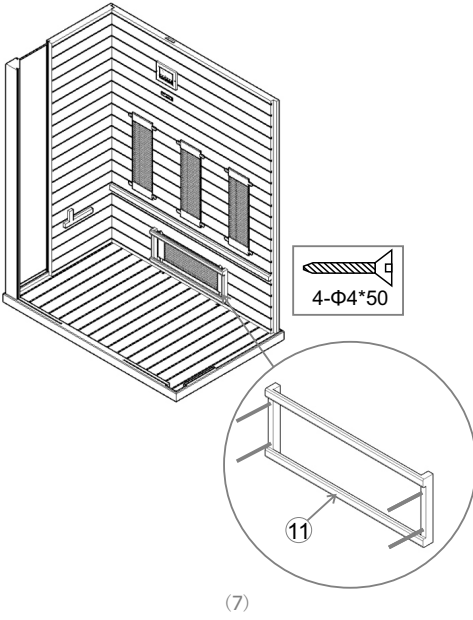


Make sure the temperature sensor should be out about 2cm from the silicon pipe (pipe/3cm+sensor/2cm=5cm away from ceiling) .



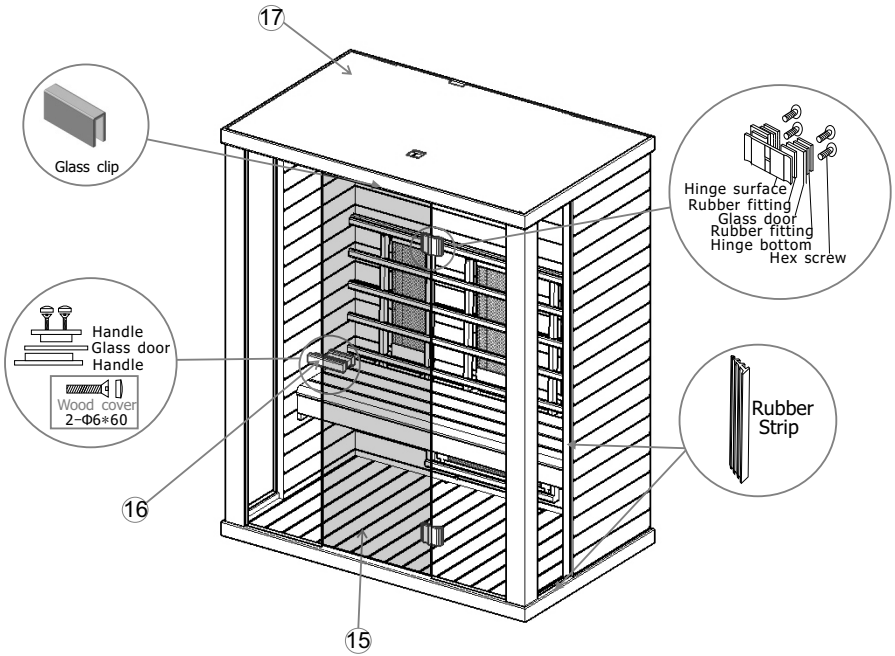
ASSEMBLE INSTRUCTIONS

Assemble steps



ASSEMBLE INSTRUCTIONS

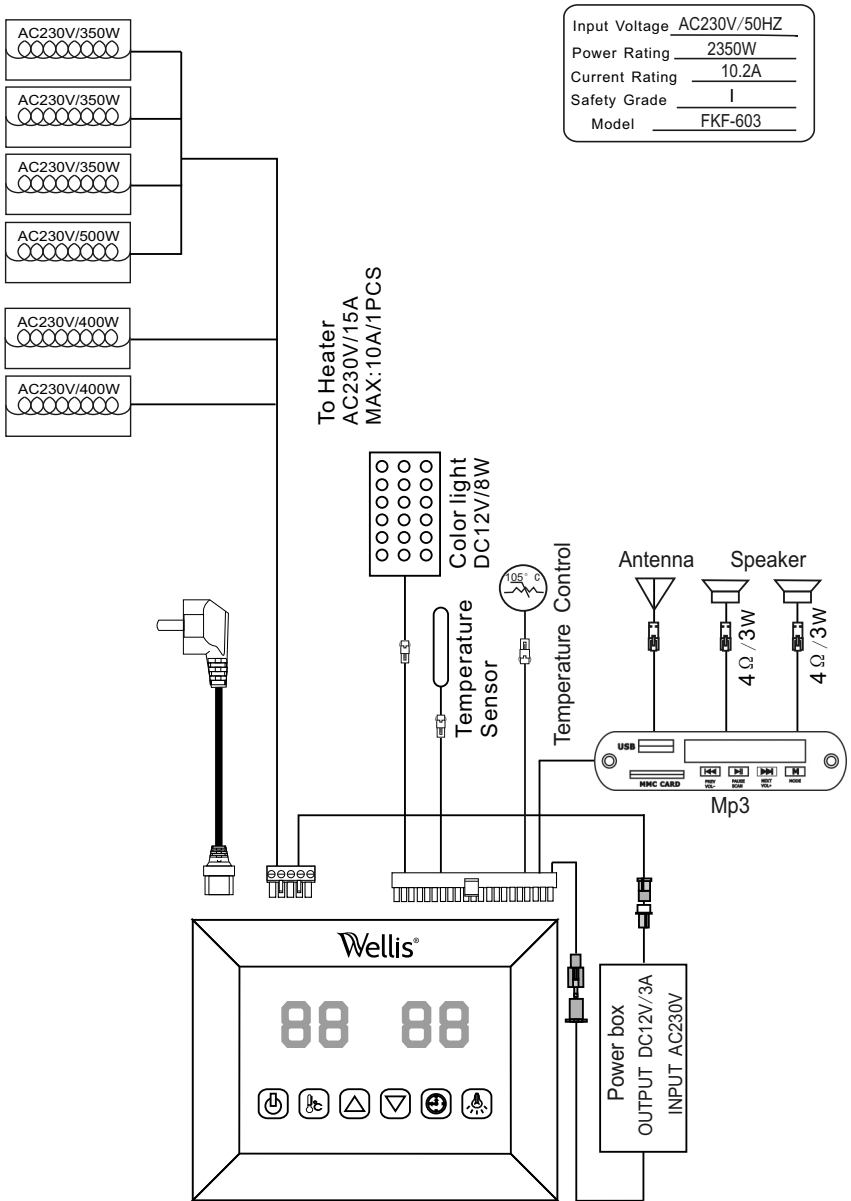
Assemble steps



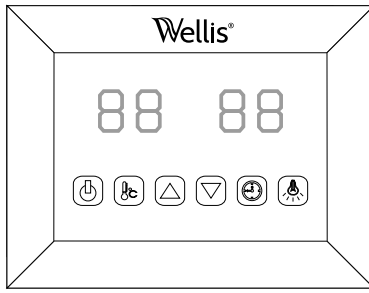
Note: connect all cables on the roof of the cabin







(11)

CIRCUIT DIAGRAM





OPERATING INSTRUCTIONS



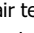
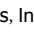
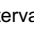
-  ON/OFF
-  Color light
-  Temperature setting
-  Time setting
-  Time/Temperature+
-  Time/Temperature-

Connect the power unit to wall outlet, the LED indicator will start to blink on the display. Now it is possible to switch on the infrared heaters, the light and the music function.

1)Startup


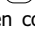
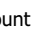
Press  to switch on the display and heaters start to work, the length of time is automatically set to 99 minutes and the air temperature inside the cabin will be presented. Press  again could switch off the heaters.

2)Temperature settings



The left display refers to the air temperature. Press , you can set the desired temperature from 35°C to 60°C by pressing the  /  keys, Interval=1°C; The setting number blinks 10 seconds then automatically presents the air temperature; When at this temperature, the heaters will stop working automatically; When it fall 2°C below this temperature, the cabin will start up automatically.

Please note: The maximum air temperature reachable in the cabin may be lower than the desired temperature. This is dependent on the temperature outside the cabin. Default temperature=40°C

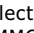
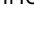
3)Time settings

The right display refers to the length of time. Press , you can set the desired time from 5mins to 99mins by pressing the  /  keys. Interval=1mins; When count down to 00, the heaters will shut off automatically. Default time=99minutes.

4)Color light

Short press , you can set the desired color(7 color totally)and close the light; Long press  to go into an automatically cycling mode, changing 7 colors every 5 seconds.

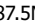
5) Mp3 player

Activate the MP3 player by pressing and holding the "" button on the MP3 player. Select the preferred mode with brief repeated presses of the "" button on the MP3 player.(USB, MMC CARD, Bluetooth,FM radio)

USB/SD or Bluetooth mode:

You can select songs by short pressing the  /  keys and adjust the volume (0-32) by long pressing the  /  keys. The  key for pause.

FM radio mode:

Long press  to search stations (87.5MHZ-108MHZ) automatically, the system will save all of them;

You can select stations by short pressing the  /  keys and adjust the volume (0-32) by long pressing the  /  keys.

SERVICE

Use instructions

Drink plenty of liquids before and after use of the infrared cabin.

Dry yourself off completely.

The optimal cabin temperature for a pleasant session lies between 35 and 60°C.

After a heating period of an hour at the latest, the cabin should be switched off and a heating brake of at least 30 minutes should be taken.

It is recommended to take a warm shower and relax after use.

Maintenance instructions

Clean the cabin with a damp cotton towel, dry with a clean dry towel.

Clean the glass with a window/glass cleaner and a soft cloth.

Do not pour water in the control panel or clean it with wet cloth. For cleaning purposes, use a cleaning cloth that has been only slightly moistened with a mild soapy solvent (dish detergent).

Do not use chemical detergents to clean the cabin.

Please fasten the screws of the bench once every three months, avoid the loose or drop off.

Notes:
