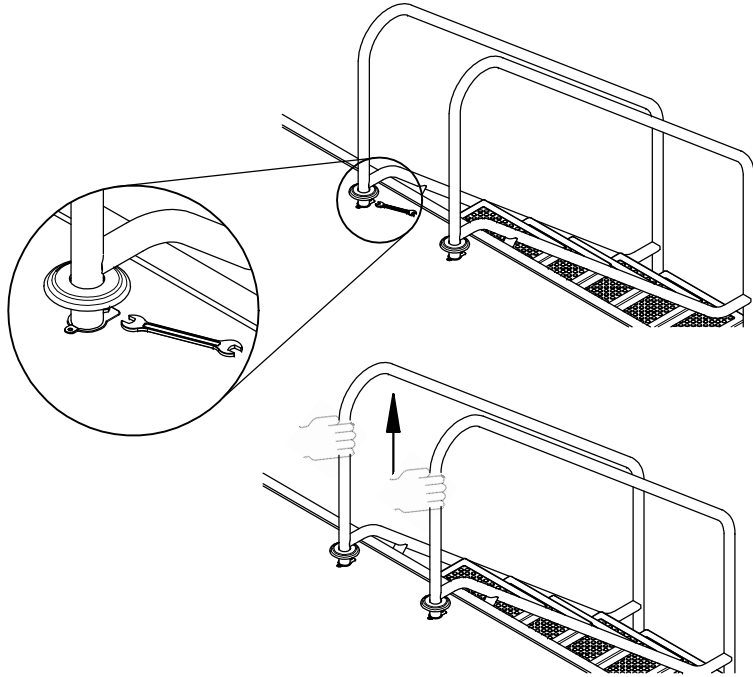
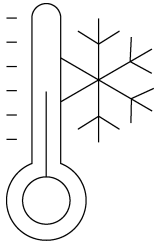
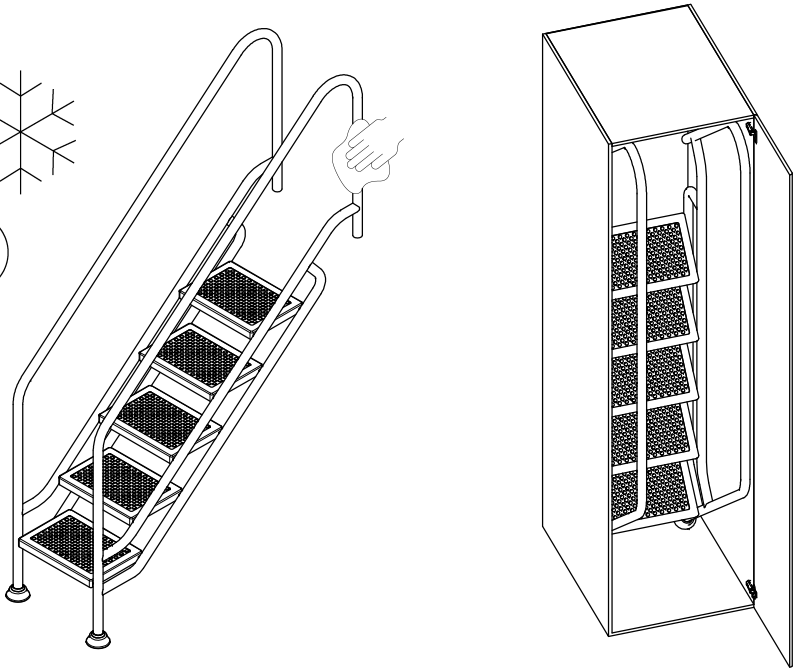
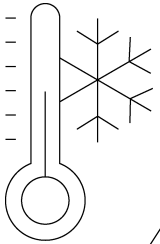


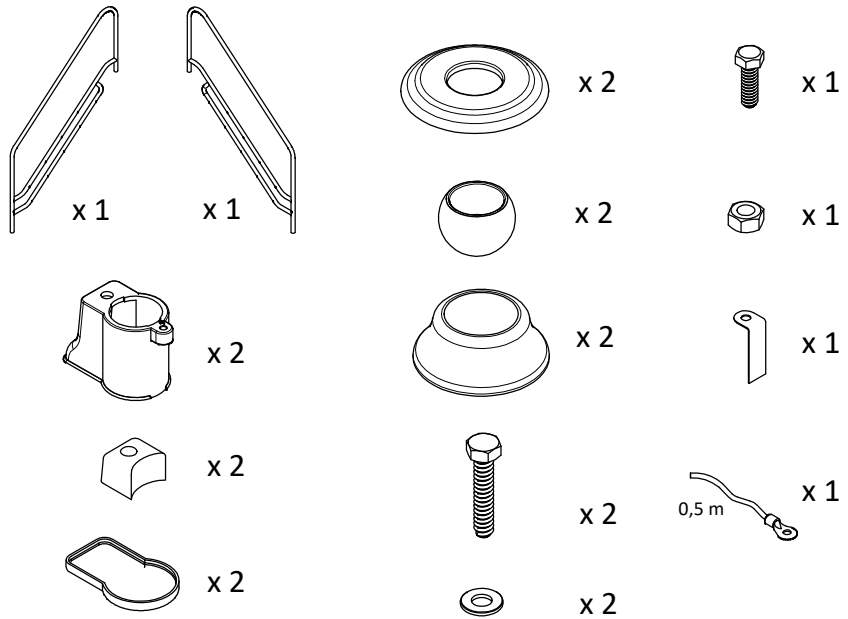
11



12



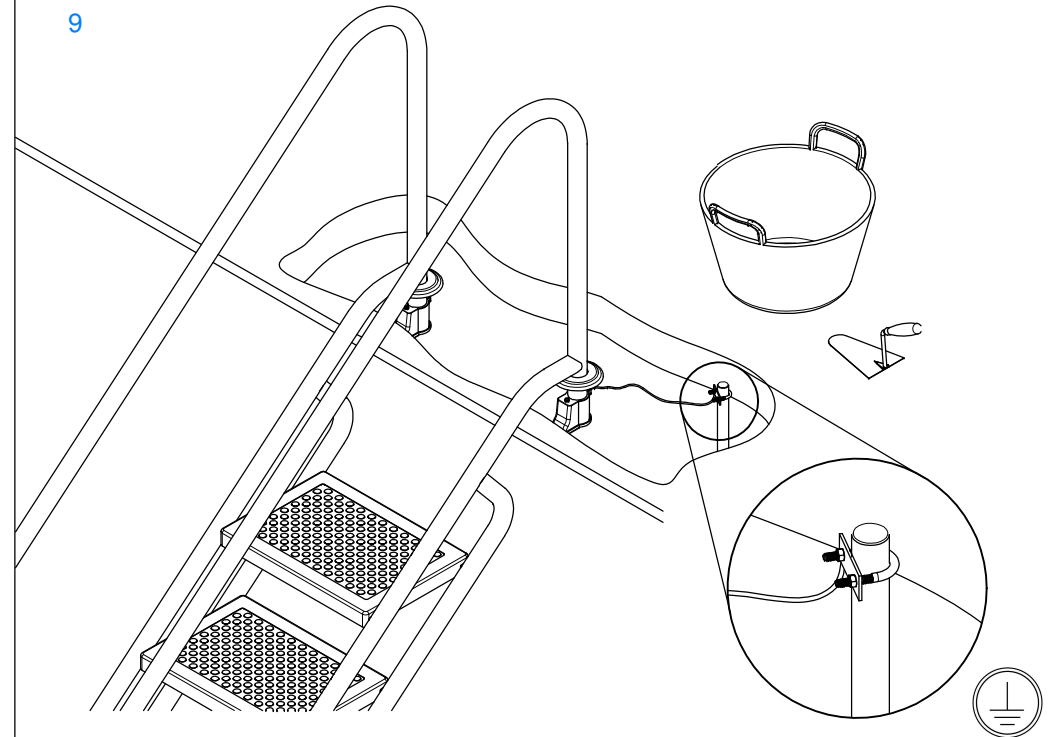
ASSEMBLY INSTRUCTIONS
EASY ACCESS LAND 500, EAL-SERIES



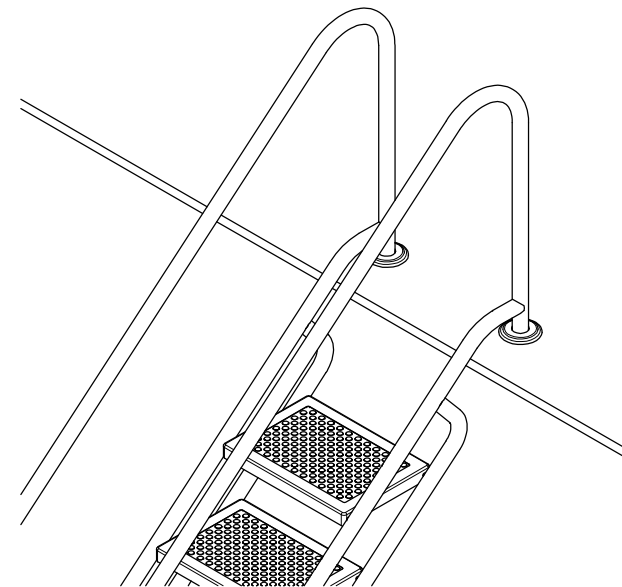
	x 5	x 6	x 7
	x 20	x 24	x 28
	x 20	x 24	x 28

<p>200</p> <p>Area to cut</p>		
	5	1180 - 1380
	6	1390 - 1590
	7	1600 - 1800

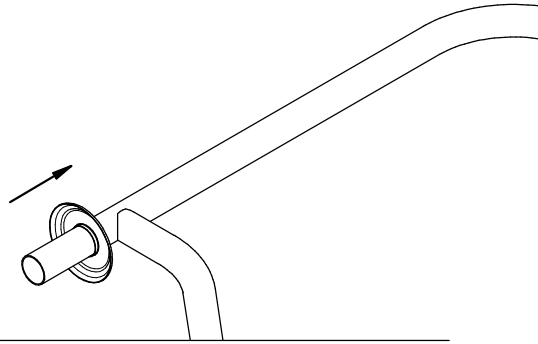
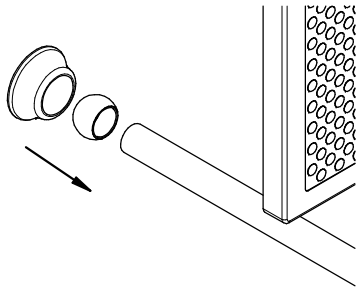
9



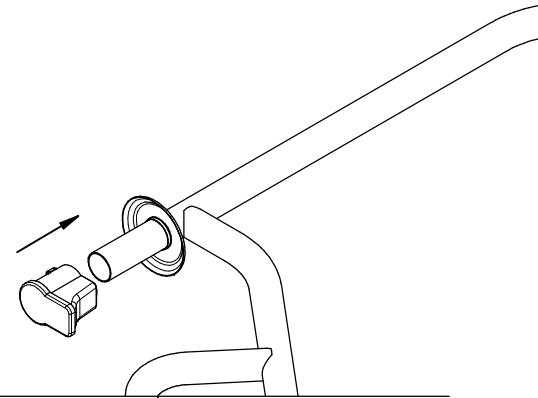
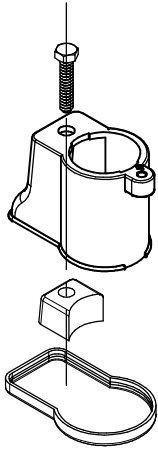
10



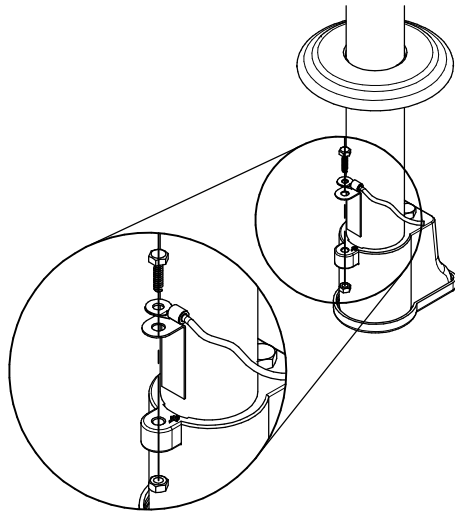
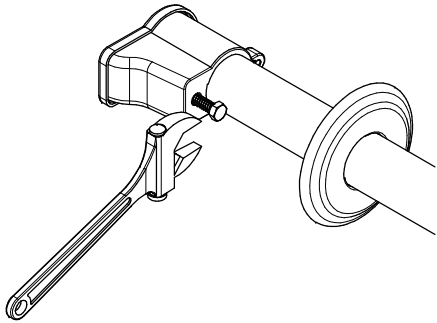
2



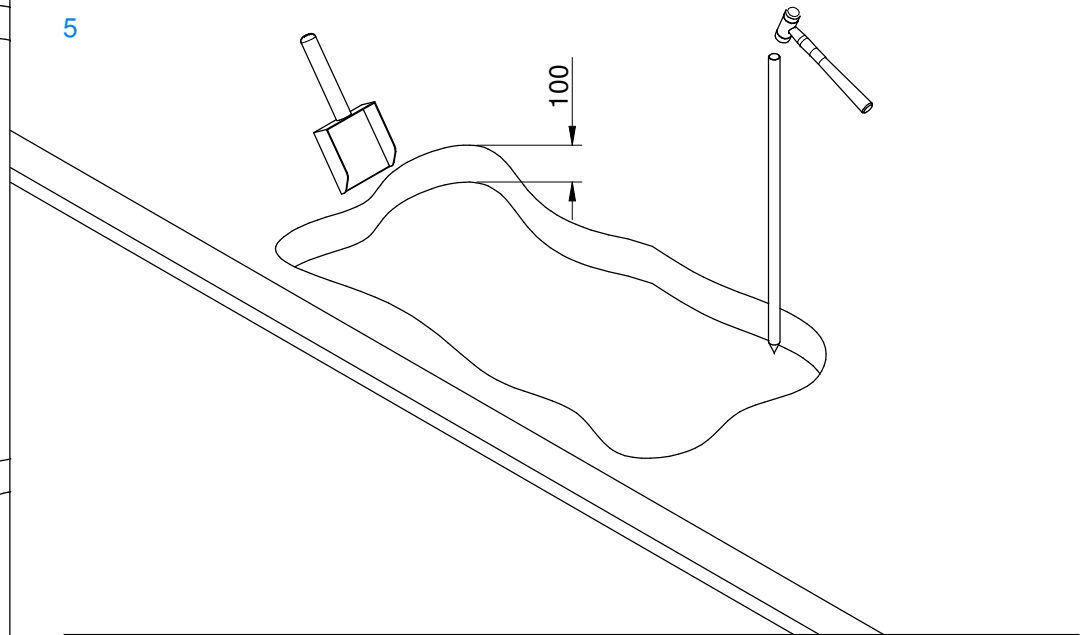
3



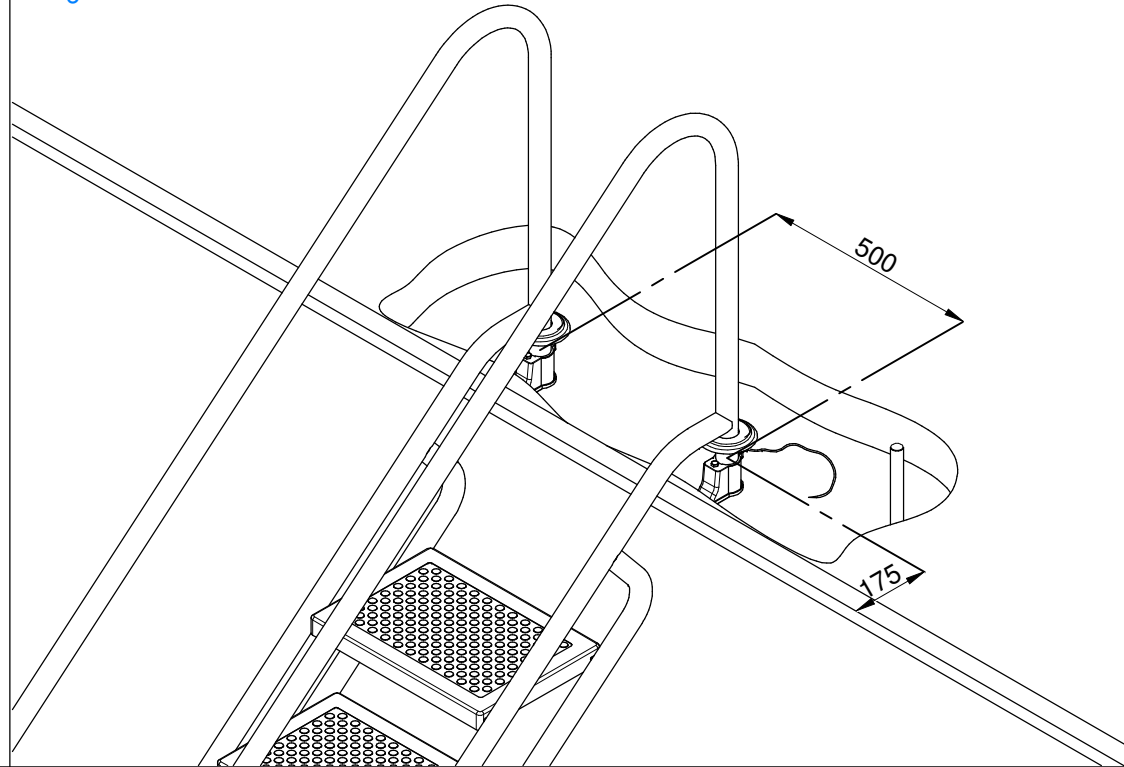
4



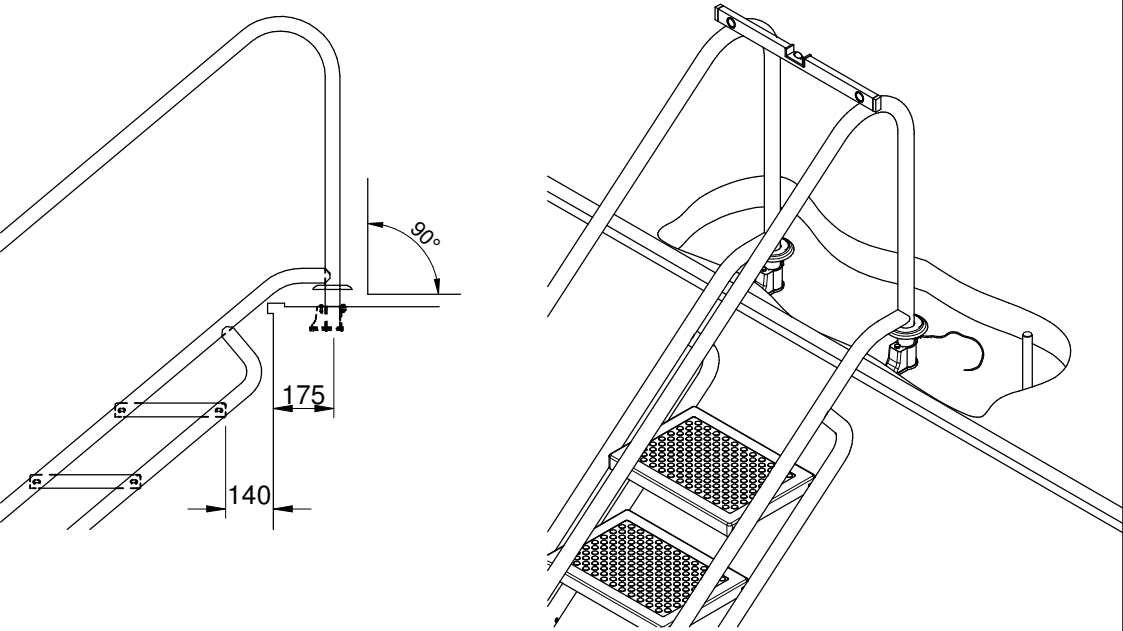
5



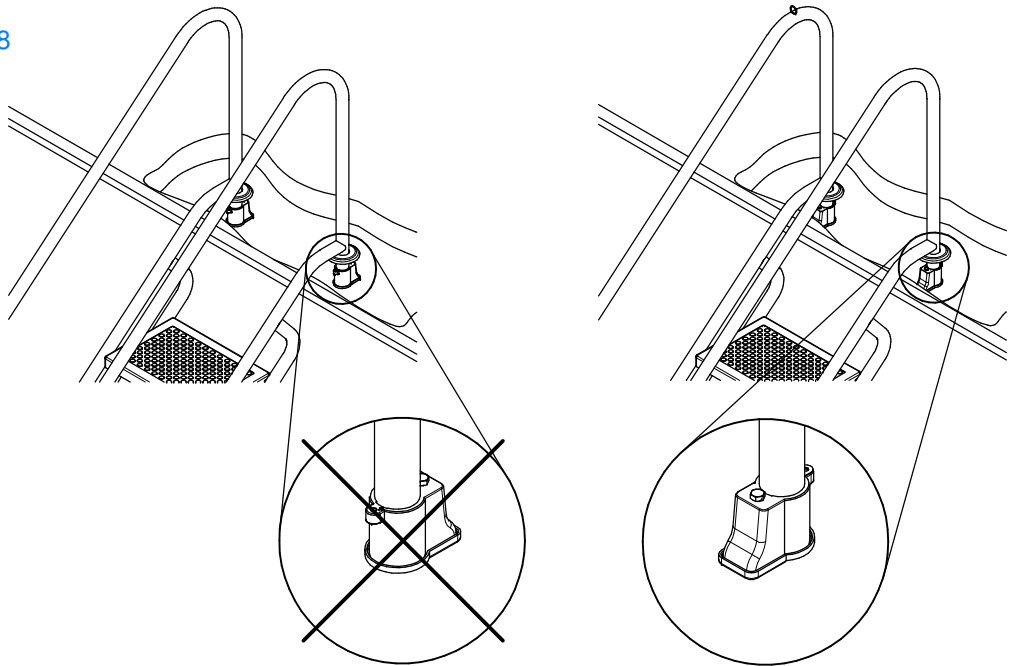
6



7



8



1

