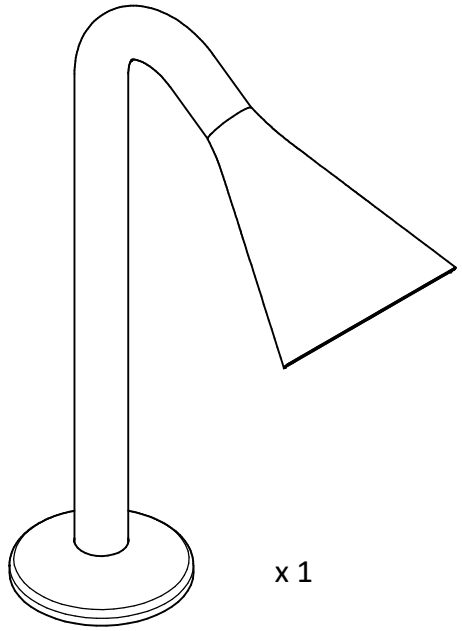
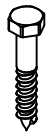




**ASSEMBLY INSTRUCTIONS**  
CANNON JET ITHACA (AGI-118) FLAT NOZZLE



x 1



x 8

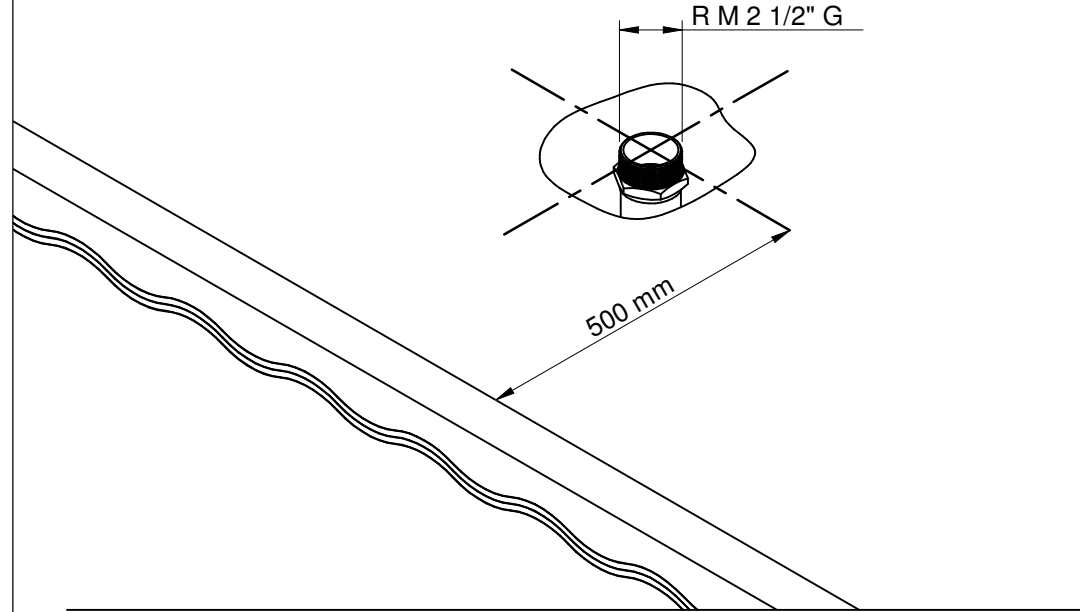


x 8

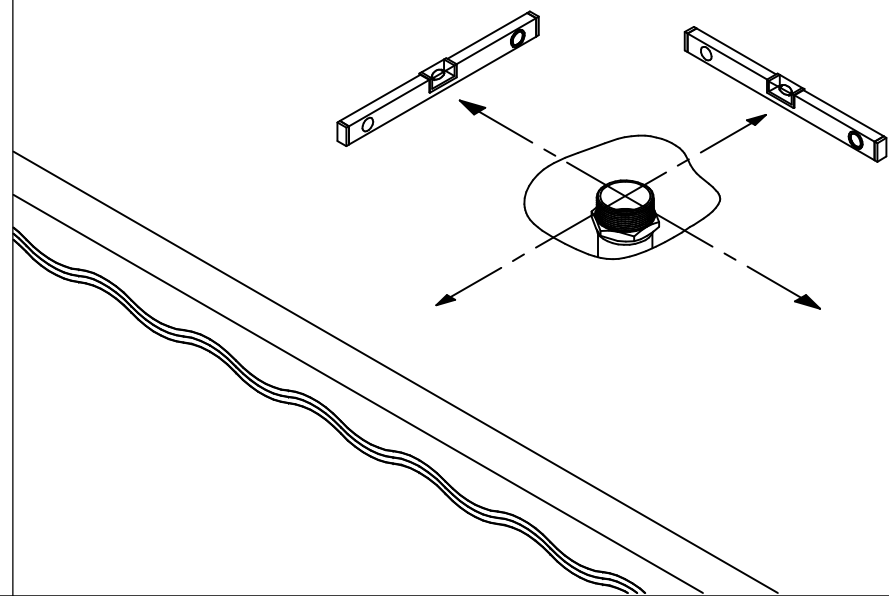


x 8

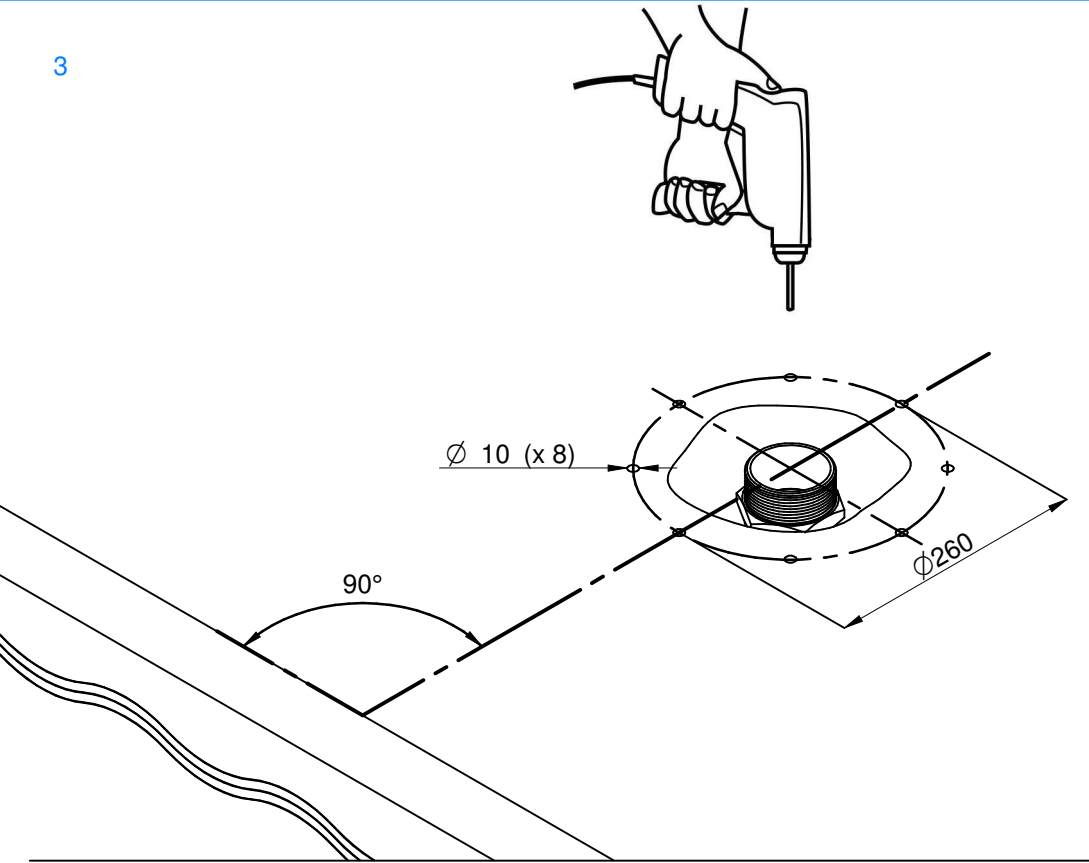
1



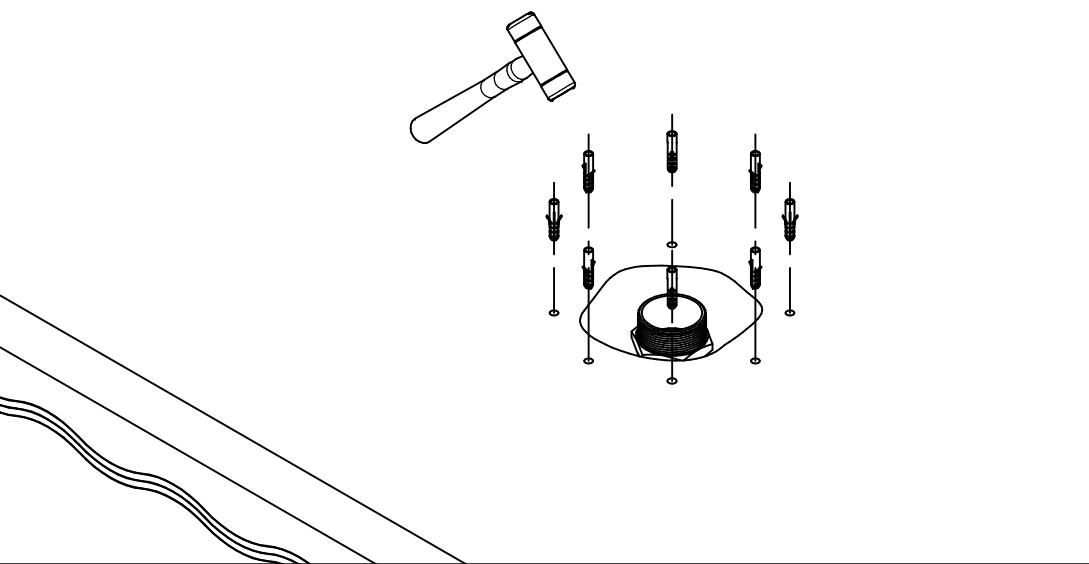
2



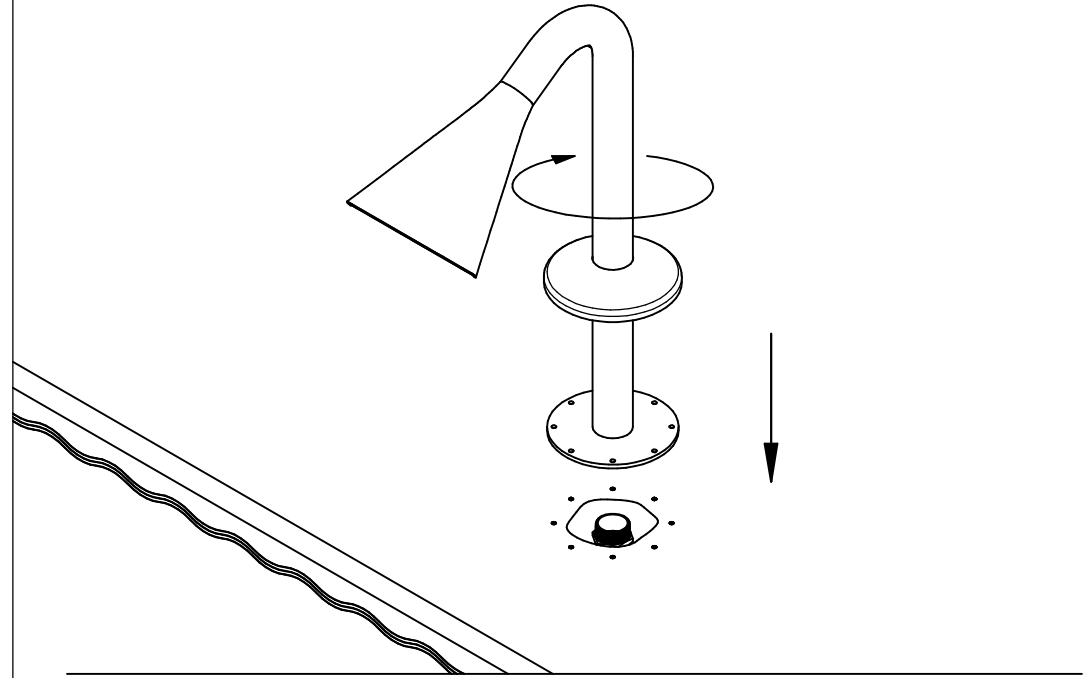
3



4



5



6

