



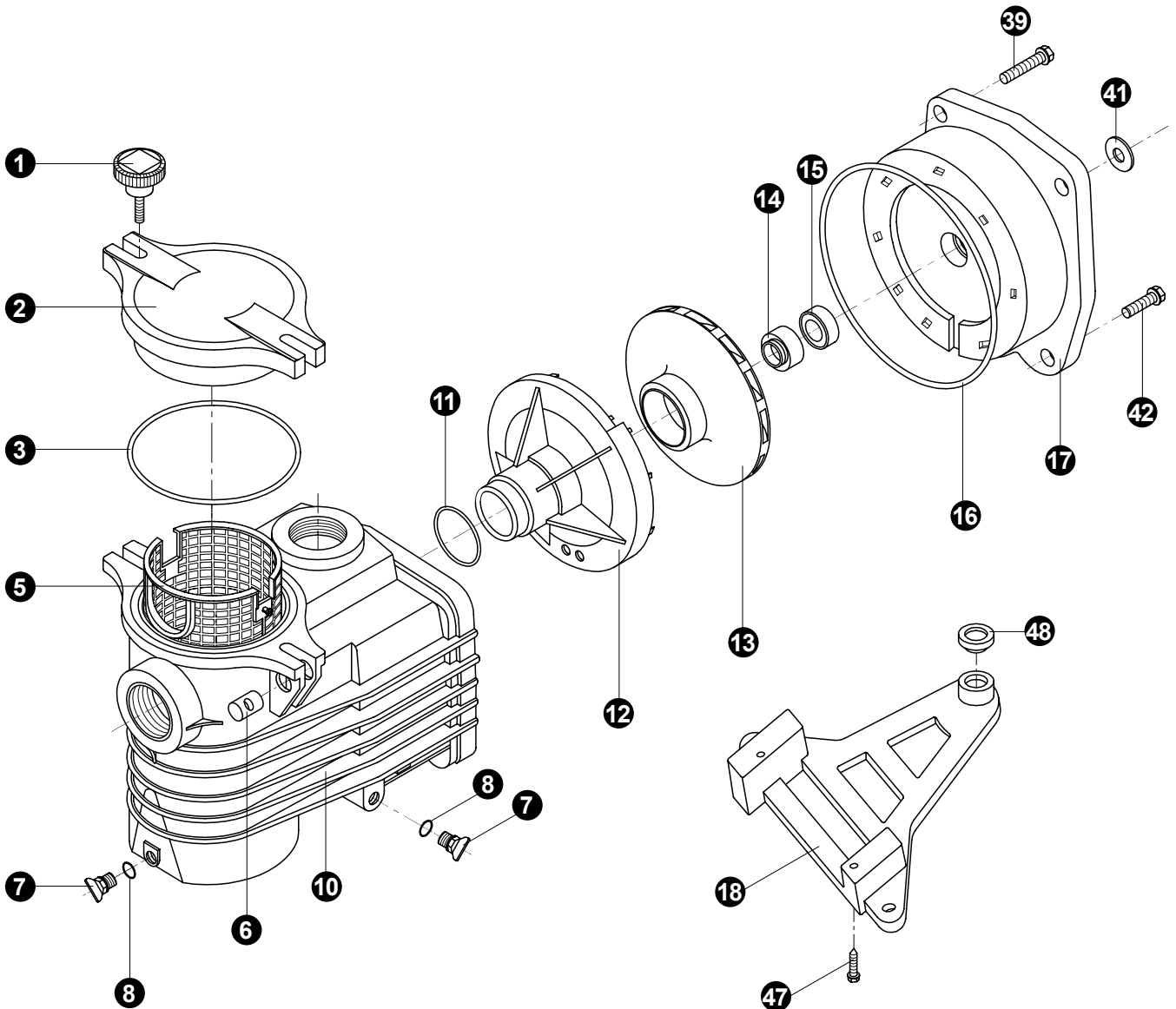
HIGH-PERFORMANCE, SELF-PRIMING PUMP FOR RESIDENTIAL POOLS, ONDINA (OK) SERIES

KRIPSOL



MODELS

- OK 33 M
- OK 51 M
- OK 51 T1
- OK 71 M
- OK 71 T1
- OK 100 M
- OK 100 T1





No.	Description	Quantity	Code	Part no.
1 + 6	Hand knob (+swivel nut)	2+2	500100010001	RPUM0001.01R
2 + 3	Cover kit (cover + O'Ring)	1+1	500100020001	RPUM0002.01R
3	Cover O'Ring	10	500100110001	RPUM0003.01R
5	Strainer basket	1	500100030001	RPUM0005.01R
6	Swivel nut	10	500100160000	RPUM0006.00R
7+8	Drain kit	10+10	500100000000	RPUM0007.00R
3 + 8 + 11 + 16	Pump gasket kit	1 + 2 + 1 + 1	500131160100	RPUM3116.01R
10	Pump casing	1	500100100001	RPUM0010.01R
11	Diffuser O'Ring	10	500100120001	RPUM0011.01R
12	Diffuser	1	500100060002	RPUM0012.02R
13	Impeller 0,33HP	1	500100070003	RPUM0013.03R
	Impeller 0,50HP	1	500100070004	RPUM0013.04R
	Impeller 0,71HP	1	500100070005	RPUM0013.05R
	Impeller 1,00HP	1	500100070006	RPUM0013.06R
14 + 15	Mechanical seal kit	1+1	500114150100	RPUM1415.01R
16	Casing flange O'Ring set	10	500100130001	RPUM0016.01R
17	Casing flange	1	500100080001	RPUM0017.01R
18+48	Pump support	1+6	500100090001	RPUM0018.01R
39 + 42 + 47	Hardware kit	4 + 4 + 2	500139420100	RPUM3942.01R
41	Slinger	10	500100410000	RPUM0041.00R



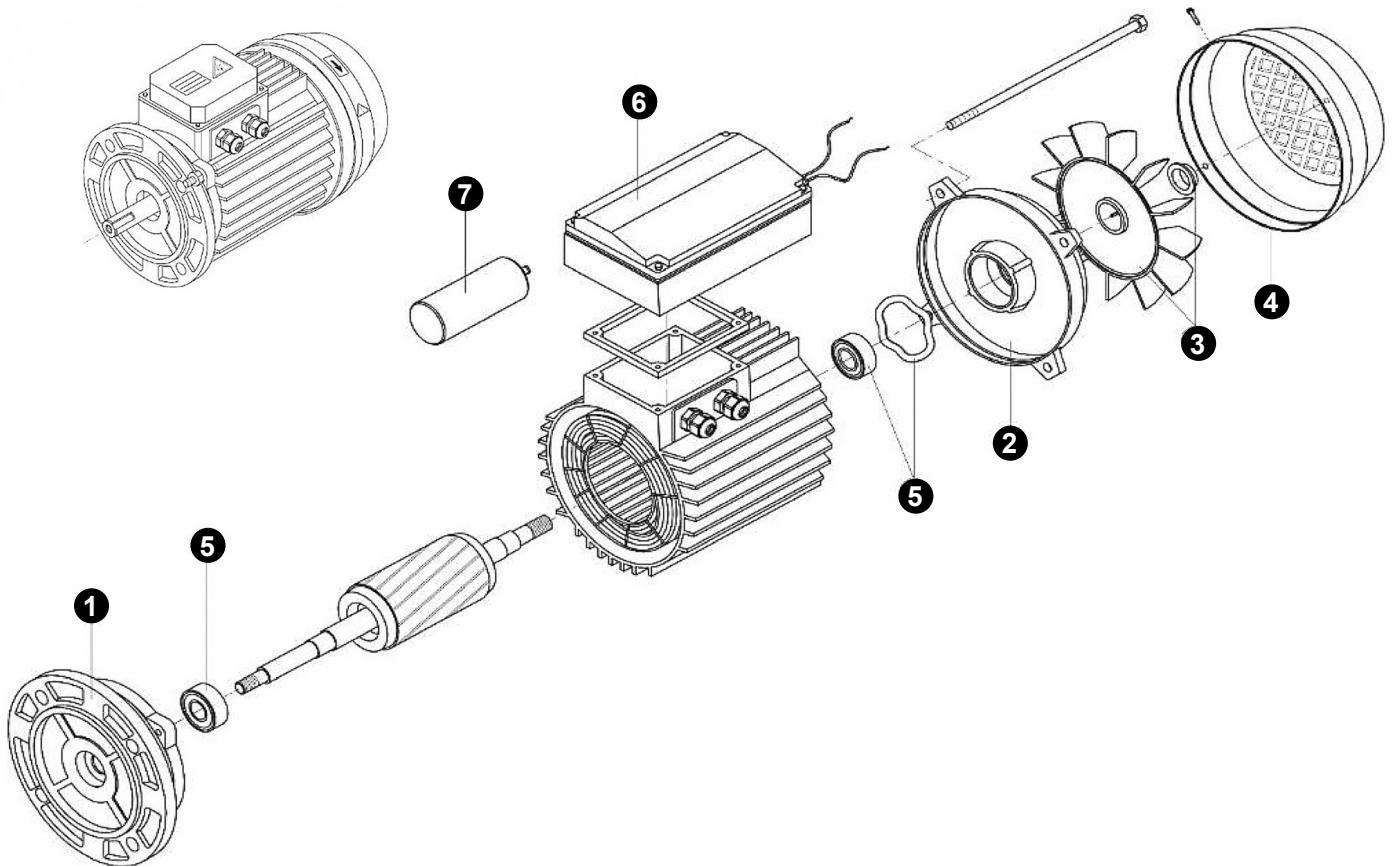
HIGH-PERFORMANCE, SELF-PRIMING PUMP FOR RESIDENTIAL POOLS, ONDINA (OK) SERIES / ENGINE SPARE PARTS

KRIPSOL



MODELS

- OK 33 M
- OK 51 M
- OK 51 T1
- OK 71 M
- OK 71 T1
- OK 100 M
- OK 100 T1



No.	For pump	Quantity	Code	Part no.
MOTOR				
-	OK 33 M	1	505000101000	RMOT5010.10R
-	OK 51 M	1	505000102000	RMOT5010.20R
-	OK 51 T1	1	505000112000	RMOT5011.20R
-	OK 71 M	1	505000103000	RMOT5010.30R
-	OK 71 T1	1	505000113000	RMOT5011.30R
-	OK 100 M	1	505000203000	RMOT5020.30R
-	OK 100 T1	1	505000213000	RMOT5021.30R



No.	For pump	Quantity	Code	Part no.	
N° 1 MOTOR COVER-PUMP SIDE					
1	OK 33 M OK 33 T1 OK 51 M OK 51 T1 OK 71 M OK 71 T1	1	505010101100	RMOT0001.01R	
1	OK 100 M OK 100 T1	1	505010102000	RMOT0001.02R	
N° 2 MOTOR COVER-FAN SIDE					
2	OK 33 M OK 33 T1 OK 51 M OK 51 T1 OK 71 M OK 71 T1	1	505010201300	RMOT0002.01R	
2	OK 100 M OK 100 T1	1	505010202300	RMOT0002.02R	
N° 3 FAN					
3	OK 33 M OK 33 T1 OK 51 M OK 51 T1 OK 71 M OK 71 T1	1	505010301200	RMOT0003.01R	
3	OK 100 M OK 100 T1		505010302200	RMOT0003.02R	
N° 4 FAN COVER					
4	OK 33 M OK 33 T1 OK 51 M OK 51 T1 OK 71 M OK 71 T1	1	505010401200	RMOT0004.01R	
4	OK 100 M OK 100 T1	1	505010402200	RMOT0004.02R	
N° 5 BEARINGS KIT					
5	OK 33 M OK 33 T1 OK 51 M OK 51 T1 OK 71 M OK 71 T1 OK 100 M OK 100 T1	1	505010701000	RMOT0005.01R	
N° 6 CONNECTION BOX					
6	OK 33 M OK 33 T1 OK 51 M OK 51 T1 OK 71 M OK 71 T1	1	505006000601	RMOT0006.01R	
6	OK 100 M OK 100 T1	1	505006000602	RMOT0006.02R	
No.	Description	For pump	Quantity	Code	Part no.
N° 7 CAPACITOR					
7	Wired capacitor 12,5 µF	OK 33 M OK 51 M OK 71 M	1	505010600000	RBM1060.00R
7	Wired capacitor 20 µF	OK 100 M	1	505010601200	RBM1060.12R
7	Faston capacitor 12,5 µF	OK 33 M OK 51 M OK 71 M	1	505010610000	RBM1061.00R
7	Faston capacitor 20 µF	OK 100 M	1	505010611200	RBM1061.12R