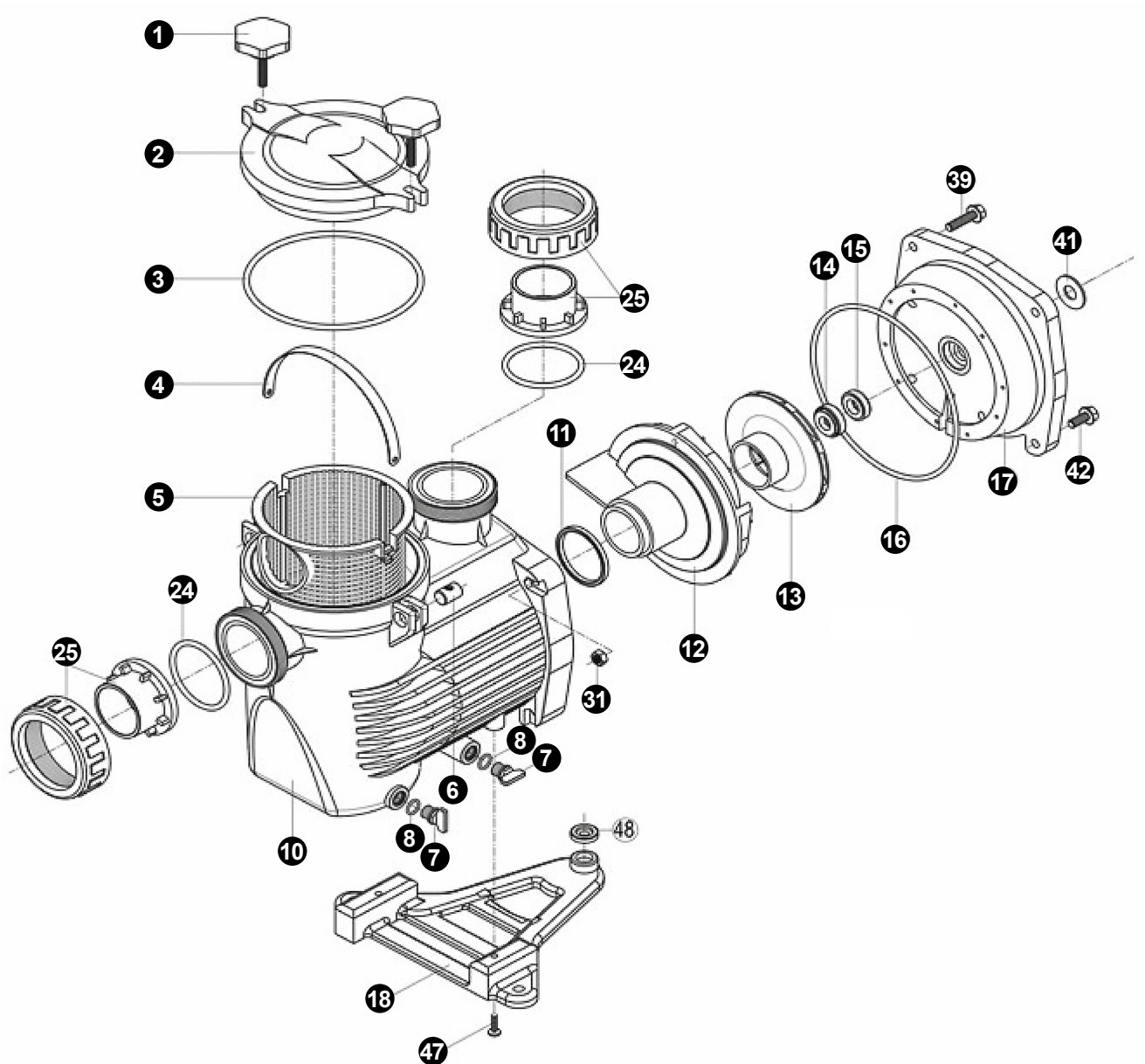




# INVERTER SWIMMING POOL PUMP, KS EVO VS SERIES

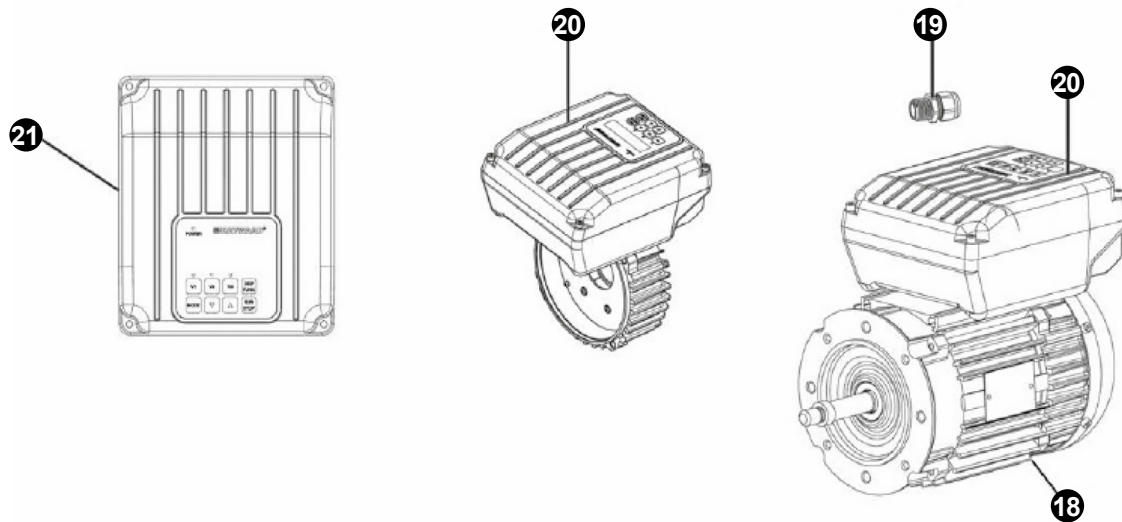
**KRIPSOL**

**MODELS**  
• KS Evo VS





No.	Description	Quantity	Code	Part no.
1 + 6	Hand knob (+swivel nut)	2 + 2	500100010002	RPUM0001.02R
2 + 3	Cover kit (cover + O'Ring)	1 + 1	500100020003	RPUM0002.03R
3	Cover O'Ring	10	500100110003	RPUM0003.03R
4 + 5	Strainer basket	1 + 1	500100030003	RPUM0005.03R
6	Swivel nut	10	500100160000	RPUM0006.00R
7 + 8	Drain kit	10 + 10	500100000000	RPUM0007.00R
3 + 8 + 11 + 16 + 24	Pump gasket kit	1 + 2 + 1 + 1 + 2	500131160300	RPUM3116.03R
10	Pump casing	1	500100100021	RPUM0010.21R
11	Diffuser O'Ring	10	500100120002	RPUM0011.02R
12	Diffuser	1	500100060003	RPUM0012.03R
13	Impeller VS 1,5HP	1	500100070104	RPUM0013.104R
14 + 15	Mechanical seal kit	1 + 1	500114150100	RPUM1415.01R
16	Casing flange O'Ring set	10	500100130002	RPUM0016.02R
17	Casing flange	1	500100080002	RPUM0017.02R
18 + 48	Pump support	1 + 6	500100090001	RPUM0018.01R
39 + 42 + 47	Hardware kit	4 + 4 + 2	500139420300	RPUM3942.03R
41	Slinger	10	500100410000	RPUM0041.00R
24 + 25	Set of unions KS Ø 50	2 + 2	500100255000	EK50B JUEGO
24 + 25	Set of unions KS Ø 63	2 + 2	500100256300	EK63B JUEGO



No.	Description	Quantity	Code	Part no.
-	Fan HG 0.50-1.50CV M	1	V0004	-
-	Fan cover VS	1	CVX0238	-
-	Bearings kit Motor rf 1	1	SPX62022RS	-
18	Motor 1.5CV VS	1	SPX1100KFVSTD	-
19	Gland	1	SPX1100PE	-
20	Electronic module	1	SPX1100ELVSTD	-
21	User interface VSTD	1	SPX1100INTVSTD	-