



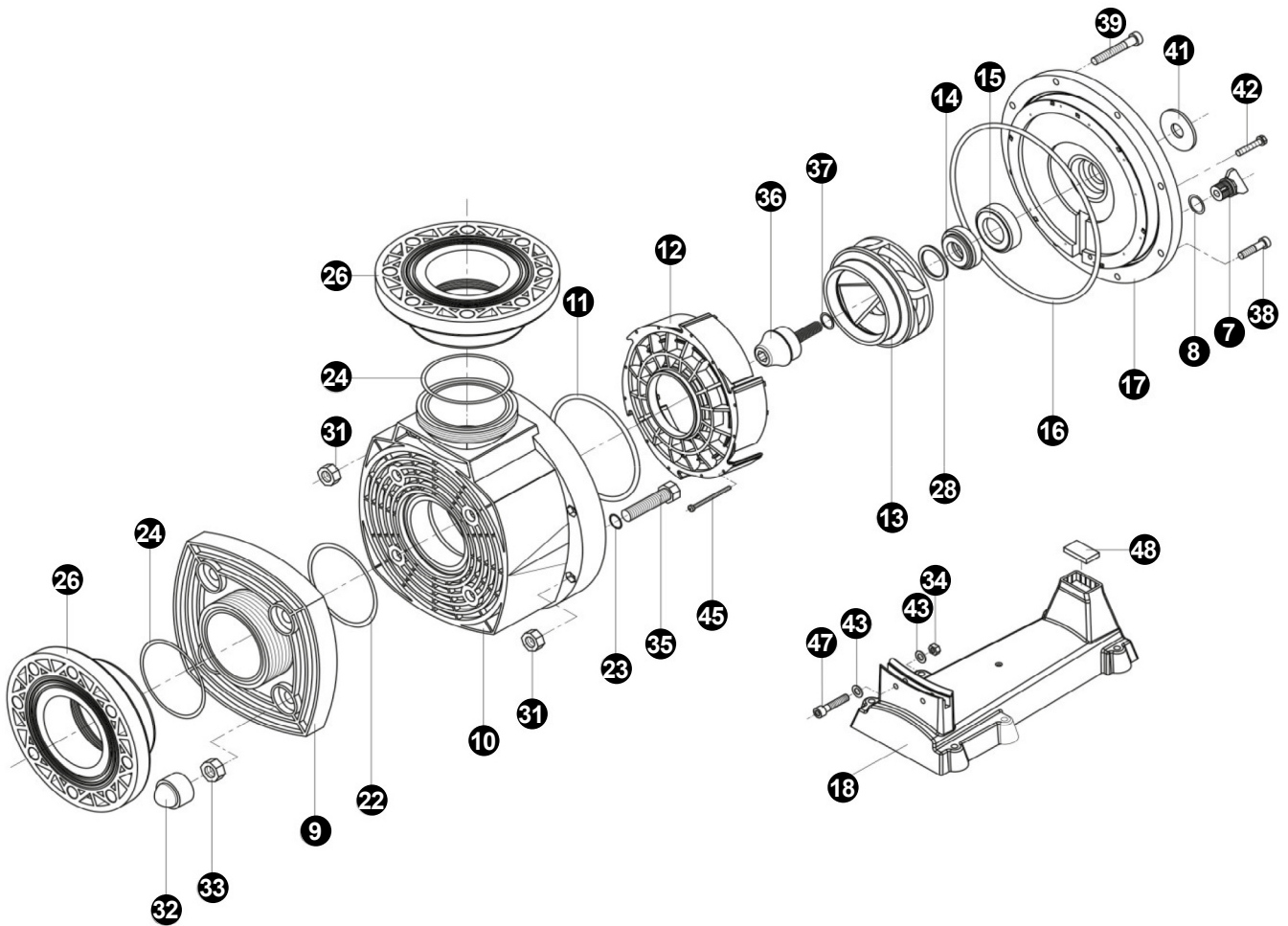
NO PREFILTER PUMP FOR UP STREAM EQUIPMENT/SPAS, KRETA/HCP 1100 SERIES

HAYWARD



MODELS

- KTB1000 T2 (HCP111003E1)
- KTB1250 T2 (HCP111253E1)
- KTB1500 T2 (HCP111503E1)
- KTB2000 T2 (HCP112003E1)





No.	Description	Quantity	Code	Part no.
7 + 8	Drain kit	10	500100000000	RPUM0007.00R
8	Gasket kit	2	500131161000	RPUM3116.10R
11		1		
16		1		
22		1		
24		2		
9	Flange	1	500100140004	
10	Pump casing black	1	500100100007	RPUM0010.08R
11	Diffuser O'Ring kit	10	500100120004	RPUM0011.05R
12	Diffuser - 10 / 12,5 HP	1	500100060007	RPUM0012.08R
45		12		
13+28+36+37	Impeller 10,00 HP	1	500100070034	RPUM0013.28R
	Impeller 10,00 HP (until 2014)	1	500100070023	RPUM0013.26R
	Impeller 12,5 HP	1	500100070028	RPUM0013.29R
	Impeller 12,5 HP (until 2014)	1	500100070024	RPUM0013.27R
	Impeller 15,0 HP	1	500100070029	RPUM0013.30R
13+36+37	Impeller 20,0 HP	1	500100070030	RPUM0013.31R
14 + 15	Seal set	1	500114150300	RPUM1415.03R
16	Flange O'Ring kit	10	500100130004	RPUM0016.05R
17	Flange	1	500100080005	RPUM0017.06R
18	Support	1	500100090003	RPUM0018.04R
48		2		
49		3		
23 + 35	Hardware kit	4	500139420500	RPUM3942.05R
31		8		
32 + 33		4		
34		2		
38		6		
39		2		
42 + 43		4		
47		2		
36 + 37	Impeller screw kit	10	500100190001	RPUM3637.02R
41	Drops guard	10	500100410100	RPUM0041.01R
24 + 26	Set flanges Ø 140 mm	2	500100150004	RPUM2426.00R



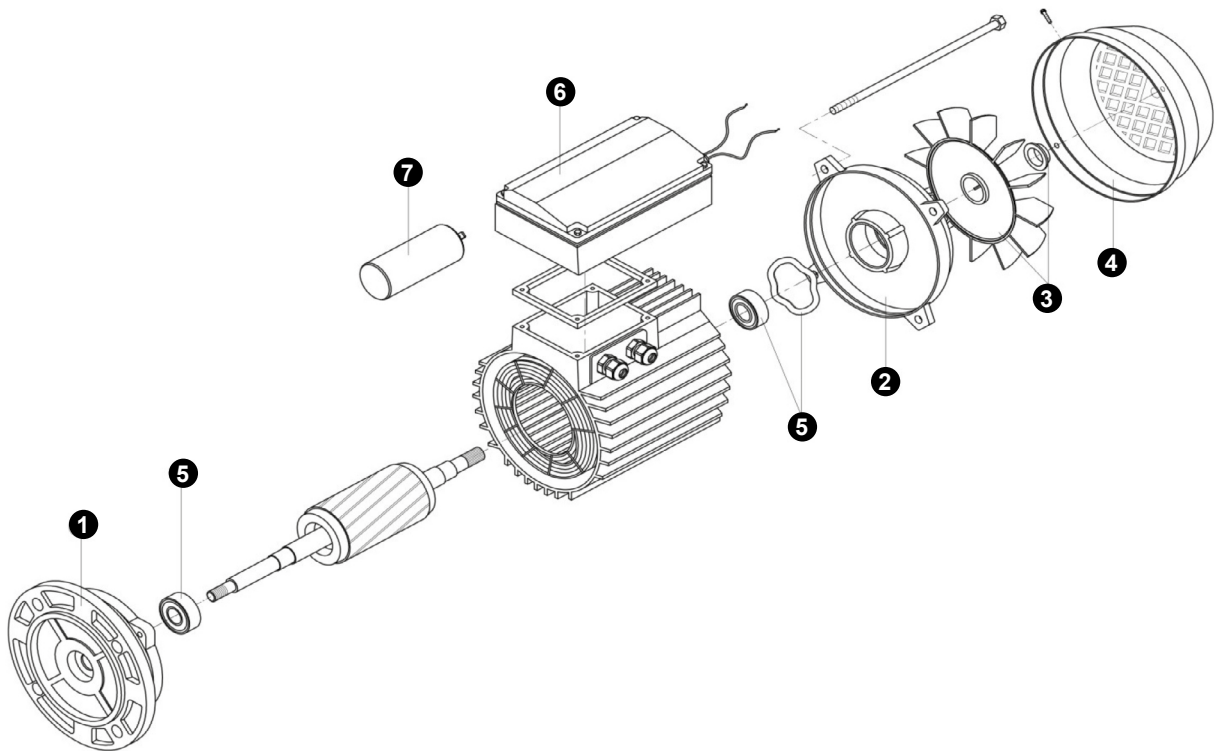
NO PREFILTER PUMP FOR UP STREAM EQUIPMENT/SPAS, KRETA/HCP 1100 SERIES / ENGINE SPARE PARTS

HAYWARD



MODELS

- KTB1000 T2 (HCP111003E1)
- KTB1250 T2 (HCP111253E1)
- KTB1500 T2 (HCP111503E1)
- KTB2000 T2 (HCP112003E1)





Code	Part no.	Pump Model	HP	MEC
No. 1 MOTOR COVER-PUMP SIDE				
505010107000	RMOT0001.08R	HCP111003E	10	132
		HCP111003E1	10	
		HCP111253E1	12	
		HCP111503E1	15	
		HCP112003E1	20	
No. 2 MOTOR COVER-FAN SIDE				
505010207200	RMOT0002.07R	HCP111003E	10	132
		HCP111003E1	10	
		HCP111253E1	12	
		HCP111503E1	15	
		HCP112003E1	20	
No. 3 FAN				
505010302200	RMOT0003.02R	HCP111003E	10	132
505010307200	RMOT0003.07R	HCP111003E1	10	132
		HCP111253E1	12	
		HCP111503E1	15	
No. 4 FAN COVER				
505010407200	RMOT0004.07R	HCP111003E	10	132
		HCP111003E1	10	
		HCP111253E1	12	
		HCP111503E1	15	
		HCP112003E1	20	
No. 5 BEARINGS KIT				
505010707000	RMOT0005.06R	HCP111003E	10	132
		HCP111003E1	10	
		HCP111253E1	12	
		HCP111503E1	15	
		HCP112003E1	20	
No. 6 CONNECTION BOX				
505006000607	RMOT0006.07R	HCP111003E	10	132
		HCP111003E1	10	
		HCP111253E1	12	
		HCP111503E1	15	
		HCP112003E1	20	
COMPLETE MOTORS				
505000722000	RMOT5072.20RR	HCP1100 - KTB 1000 - Three phase T2 motor		
505053722000		HCP1100 - KTB 1000 - Three phase T2 IE3 motor		
505000723100	RMOT5072.31RR	HCP1100 - KTB 1250 - Three phase T2 motor		
505000724000	RMOT5072.40RR	HCP1100 - KTB1500 - Three phase T2 motor		
505000725000	RMOT5072.50RR	HCP1100 - KTB2000 - Three phase T2 motor		

T2 - 400 / 700 Volt.