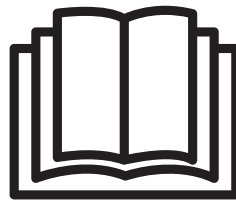
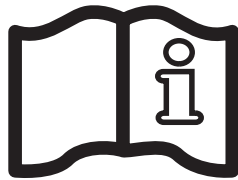
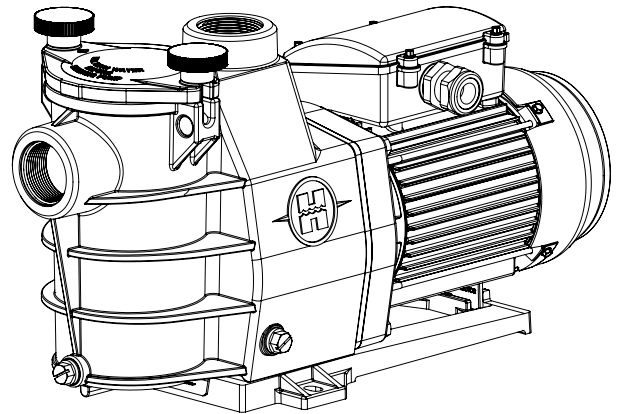
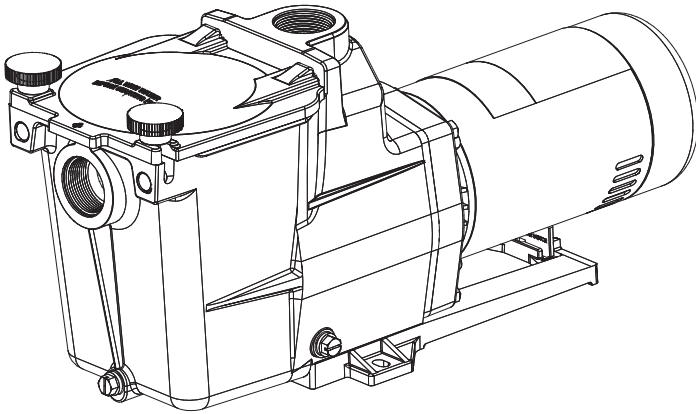




HAYWARD®



CENTRIFUGAL PUMP

USER GUIDE

KEEP THIS MANUAL FOR FUTURE REFERENCE



**WARNING: Electrical Hazard. Failure to follow instructions can result in serious injury or death.
FOR USE WITH SWIMMING POOLS**

⚠ WARNING – Disconnect the pump from the main power supply completely before servicing the pump or filter.

⚠ WARNING – All electrical connections must be done by a qualified electrician according to local electrical standard.

F	NF C 15-100	GB	BS7671:1992
D	DIN VDE 0100-702	EW	EVHS-HD 384-7-702
A	ÖVE 8001-4-702	H	MSZ 2364-702:1994 / MSZ 10-533 1/1990
E	UNE 20460-7-702 1993, REBT ITC-BT-31 2002	M	MSA HD 384-7-702.S2
IRL	IS HD 384-7-702	PL	PN-IEC 60364-7-702:1999
I	CEI 64-8/7	CZ	CSN 33 2000 7-702
LUX	384-7.702 S2	SK	STN 33 2000-7-702
NL	NEN 1010-7-702	SLO	SIST HD 384-7-702.S2
P	RSIUEE	TR	TS IEC 60364-7-702

⚠ WARNING – Be certain the machine is only plugged into a protected 230 V_~ outlet that is protected from short-circuits. The pump is to be supplied by an isolating transformer or supplied through a residual current device (RCD) having a rated residual operating current not exceeding 30 mA.

⚠ WARNING – Children should be supervised to ensure that they do not play with the appliance. Keep fingers and foreign objects away from openings and moving parts.

⚠ WARNING – Motor must be suitably grounded. Connect ground wire to green grounding screw and for cord connected units use properly grounded outlet.

⚠ WARNING – Use a motor bonding lug to connect motor with other bonded parts using the appropriate size conductor as required by electrical codes.

⚠ WARNING – When making these electrical connections, refer to the diagram given under the lid of the motor terminal box. Be sure to check the electric connections are tight and sealed before powering up. Replace all covers before operation.

⚠ WARNING – Make sure that the power supply voltage required by the motor corresponds to that of the distribution network and that the power supply cables matches the power and current of the pump.

⚠ WARNING – Read and follow all instructions in this owner's manual and on the equipment. Failure to follow instructions can cause serious injury or death. This document should be given to the owner of the swimming pool and must be kept by the owner in a safe place.

⚠ WARNING – The appliance can be used by children aged from 8 years and above and persons with reduced physical, sensory or mental capabilities, or lack of experience and knowledge, if they have been given supervision or instruction concerning use of the appliance in a safe way and understand the hazards involved.

⚠ WARNING – Cleaning and user maintenance shall not be made by children without supervision.

⚠ WARNING – The pump is intended for continuous operation at Maximum Water temperature 35°C.

⚠ WARNING – Use Only Genuine Hayward Replacement Parts.

⚠ WARNING – If the supply cord is damaged it must be replaced by the manufacturer, service agent, or similarly qualified persons in order to avoid a hazard.

⚠ WARNING – For disconnection from main power supply an external switch having a contact separation in all poles that provide a full disconnection under overvoltage category III conditions must be incorporated in the fixed wiring in accordance with the wiring rules.

⚠ WARNING – Do not operate the swimming pool pump if the power cord or the housing of the motor connection box is damaged. This can cause an electric shock. A damaged power cord or motor connection box must be replaced by a service agent or a similarly qualified person immediately in order to avoid a hazard.

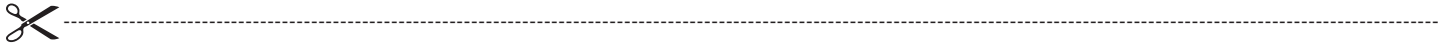
⚠ WARNING – This pool motor is NOT equipped with a Safety Vacuum Release System (SVRS). SVRS helps prevent drowning due to body entrapment on underwater drains. In some pool configuration, if a person's body covers the drain, the person can be trapped by suction. Depending on your pool configuration, a SVRS may be required to meet local requirements.

USE ONLY HAYWARD GENUINE REPLACEMENT PARTS

REGISTRATION

Hayward thanks you for buying this product. This manual contains important information regarding the operation and maintenance of your product. Keep it carefully for future reference.

TO REGISTER YOUR PRODUCT, GO TO:
<http://www.hayward.fr/en/services/register-your-product>

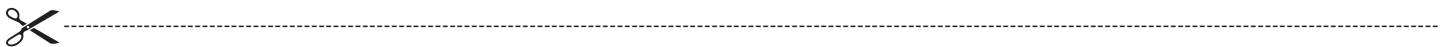


For your information

Record the following information future reference, if necessary:

- 1) Date of purchase _____
- 2) Name _____
- 3) Address _____
- 4) Post Code _____
- 5) Email _____
- 6) Part number _____ Serial number _____
- 7) Dealer _____
- 8) Address _____
- 9) Post code _____ Country _____

Note

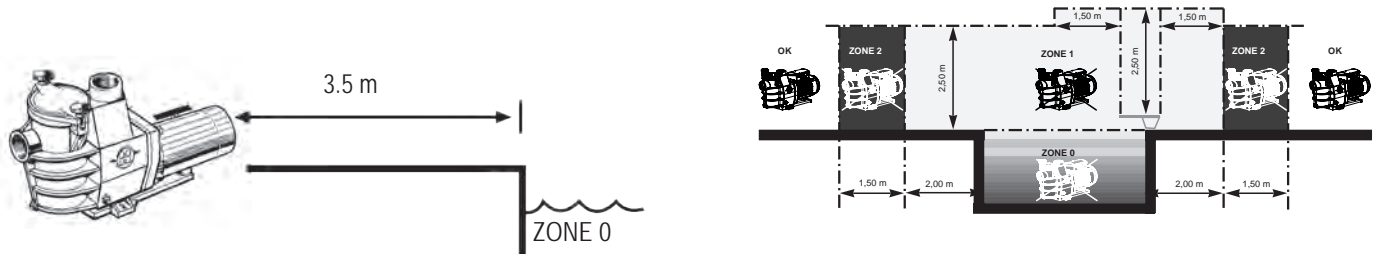


USE ONLY HAYWARD GENUINE REPLACEMENT PARTS

GENERAL POINTS

Install the pump at a suitable distance from the pool to reduce the distance between the suction point and the pump as much as possible to avoid pointless excessive pressure drops on the hydraulic circuit.

However, it is essential to comply with the safety distance required by the current installation standard (3.5 metres minimum). Install and use the product at an altitude less than 2000m



Install the pump in a dry, well-ventilated place. The motor requires the air to circulate freely around it to allow natural ventilation. Check regularly that no objects, leaves or other debris are blocking the motor cooling system.

The pump must be installed to ensure that the external disconnection switch incorporated into the fixed unit is visible and easily accessible. The switch must be located near to the pump.

The pump must be permanently installed on a concrete base using 8mm lag screws suitable for concrete, screwed into drilled implantation holes. Lock washers must be used to prevent the installation lag screws working loose over time. If the pump has to be mounted on a wooden board, Ø 8mm hexagonal wood screws must be used combined with lock washers to prevent the screws working loose over time.

The acoustic pressure of Hayward pumps is less than 70dB (A).

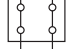
Necessary measures:

- Connect the pump to the earth: Never operate the pump unless it is connected to the earth.
- Connect the pump with a H07RN-F 3G1mm² type cable (D max 7,8mm)
- Include a 30mA differential protection to protect people against electric shocks which may be caused by a breach of the equipment's electrical insulation.
- Include short-circuit protection (the rating is determined according to the value given on the nameplate on the motor).
- Include a means of disconnection from the power supply having an opening distance on the contacts of all the poles ensuring the power supply is completely cut off under the conditions of a category III overvoltage.

Single phase electric motor:

The single phase motors fitted to our pumps are provided with thermal protection. This protection operates on an overload or in the event of abnormal heating of the motor coil and is reset automatically when the winding temperature drops.

Three phase electric motor:

On three phased motors the internal heat protection (screw terminal blocks ) is to be connected serially in the pump's power contactor command line.

Check the running direction of the pump motor (a label is provided on the motor housing to indicate the motor running direction).

If so required by regulations and whatever the motor type, in addition to the devices mentioned above, it is also necessary to install a thereto-magnetic protective device calibrated in accordance with the indications on the motor name-plate.

The table on page 108 indicates the various characteristics of the motors fitted to our pumps.

Electrical connection: Make sure that the power supply voltage required by the motor corresponds to that of the distribution network and that the power supply cables matches the power and current of the pump.

All the electric connections of the pump and the possible change of power supply cable must be hand-led by a qualified professional so as to avoid all possible danger.

When making these electrical connections, refer to the diagram given under the lid of the motor terminal box.

Be sure to check the electric connections are tight and sealed before powering up.

The pre-wiring that might be included on some of the pumps must be removed for final connection of the pump to the electric power supply. This pre-equipment is only used for works testing during the manufacturing phases.

INSTALLATION

Install the pool pump so as to reduce pressure drops to a minimum whilst complying with the distances specified in the installation standard, namely 3.5m minimum between the pump and the pool. The suction pipe must be installed with a slight uphill incline towards the pump axis. Ensure that the connections are correctly tightened and watertight. However, avoid excessively tightening the pipes. For plastic materials, use Teflon only to ensure watertightness. The diameter of the suction pipe shall depend on that of the discharge pipe. Avoid damp or non-ventilated locations. The motor requires the cooling air to circulate freely.

IMPORTANT: Check the direction of rotation before permanently connecting the motor.

INSTRUCTIONS FOR START-UP AND PRIMING: Fill the body of the strainer with water up to the level of the suction pipe. Never run the pump without water, as the water is necessary for cooling and lubrication of the mechanical shutter. Open all the suction and discharge pipe valves, and the filter air purge valve if there is one. (Any air in the suction pipes must be eliminated). Start up the generator and wait a reasonable time for priming. Five minutes is not excessive for priming (this time depends on the suction head and the length of the suction pipe). If the pump does not start or does not prime, please refer to the troubleshooting guide.

MAINTENANCE

1. Completely disconnect the pump from the mains power supply before opening the cover and cleaning the strainer. Clean the strainer basket regularly. Do not bang on the basket to clean it. Check the seal on the cover of the strainer and replace it if necessary.
2. The motor shaft is mounted on self-lubricating bearings which do not require any subsequent lubrication.
3. Keep the motor clean and dry and ensure the ventilation openings are not blocked.
4. The mechanical shutter occasionally starts to leak and must then be changed.
5. Apart from cleaning the pool, all repairs, servicing and maintenance must be carried out by a Hayward-approved agent or a qualified person.

WINTERING

1. Empty the pump by removing all the drain plugs and store them in the strainer basket.
2. Disconnect the pump, remove the pipe connectors and store the entire unit in a dry, well-ventilated place or at least take the following precaution: disconnect the pump, remove the 4 bolts attaching the pump housing to the motor bracket and store the unit in a dry, well-ventilated place. Then cover the pump housing and strainer to protect them.

N.B.: Before recommissioning the pump, clean all the internal parts to remove dust, lime scale etc.

TROUBLESHOOTING

A) The motor does not start

1. Check the electrical connections, switches or relays, and the circuit breaker or fuses.
2. Ensure that the motor turns freely by hand.

B) The motor stops, check

1. The cables, connections, relays etc.
2. Voltage drop on motor (frequently caused by cables that are too small).
3. That there is no seizing or overheating (by reading the absorbed current).

N.B.: The motor on your pump is fitted with a thermal protection which, in the case of overload, will automatically cut the circuit and avoid the motor being damaged. This triggering is caused by abnormal usage conditions which need to be checked and corrected. The motor will restart without any intervention as soon as normal operating conditions are restored.

C) The motor growls but does not start, check that a phase is not cut, the capacitor is not damaged.

D) The pump does not prime

1. Ensure the strainer housing is filled with water, that the cover seal is clean and correctly positioned and that no air can enter. If necessary, tighten the cover lock screws.
2. Ensure that all the suction and discharge valves are open and not blocked and that the suction outlets in the pool are fully submerged.
3. Check that the pump draws by freeing the suction as close as possible to the pump:
 - a) if the pump does not draw despite being sufficiently full of priming water
 1. Tighten the bolts and pipe accessories on the suction side.
 2. Check the voltage to ensure that the pump is rotating at the correct speed.
 3. Open the pump and check that nothing is blocking it inside,
 4. Replace the mechanical shutter.
 - b) If the pump is drawing normally, check the suction pipe and strainer which may be blocked or be allowing air to enter.

E) Low flow - Generally, Check for :

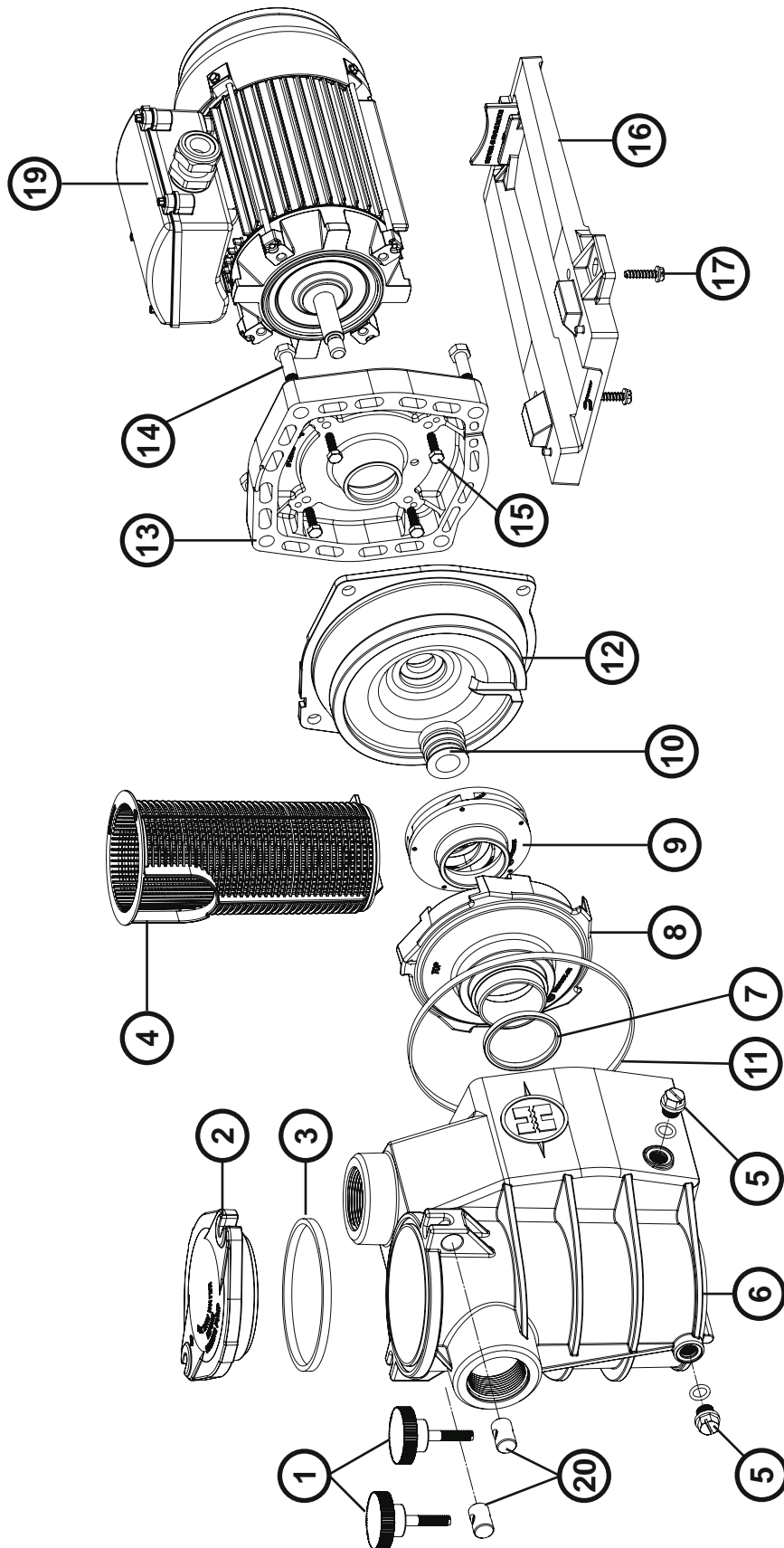
1. Clogged or restricted strainer or suction line; undersized pool piping.
2. Plugged or restricted discharge line of filter (high discharge gauge reading).
3. Air leak in suction (bubbles issuing from return fittings).
4. Pump operating under speed (low voltage).
5. Plugged or restricted impeller.

F) Noisy pump, check

1. That no air is entering the suction side and causing dull crackling in the pump.
2. That there is no cavitation caused by insufficient diameter or a restriction in the suction tube. An over-sized discharge pipe can also cause cavitation. Use pipes of the correct size or purge the pipes if necessary.
3. That no vibration is occurring due to incorrect fitting.
4. That there are no foreign bodies in the pump housing.
5. That the motor bearings have not seized due to excessive clearance, rust or prolonged overheating.

Pompe	Référence moteur	Puissance nominale	Voltage Fréquence Nb de phases	Ampérage	Condensateur	Taille et réglage disjoncteur	Hauteur manométrique à débit=0
Pump	Motor reference	Nominal power	Voltage Frequency Number of phases	Amperage	Capacitor	Circuit breaker size and setting	Manometric head at flow = 0
Bomba	Referencia motor	Potencia nominal	Voltaje Frecuencia Número de fases	Amperaje	Condensador	Tamaño y ajuste disyuntor	Altura manométrica de caudal=0
Bomba	Referência do motor	Potência nominal	Tensão Frequência Número de fases	Amperagem	Condensador	Tamanho e regulação do disjuntor	Altura manométrica para caudal = 0
Pumpe	Motorreferenz	Nennleistungs- aufnahme	Voltzahl Frequenz Phasenzahl	Stromstärke	Kondensator	Größe und Einstellung Sicherung	Druckhöhe bei Durchfluss=0
Pomp	Motorreferentie	Nominaal vermogen	Spanning Frequentie Aantal fases	Stroomsterkte	Condensator	Grootte en instelling beveiligingsschakelaar	Opvoerhoogte bij doorstroming=0
Pompa	Riferimento motore	Potenza nominale	Voltaggio Frequenza Numero fasi	Amperaggio	Condensatore	Dimensione e regolazione interruttore differenziale	Altezza manometrica a capacità=0
Pump	Motorreferens	Märkeffekt	Spänningsfrekvens Antal faser	Strömstyrka	Kondensator	Effektbrytarens värde och inställning	Uppfordringshöjd vid nollflöde
Насос	Артикул двигателя	Номинальная мощность	Напряжение, частота кол-во фаз	Сила тока	Конденсатор	Размер и настройка прерывателя	Манометрическая высота при расходе=0
SP1608XE111 SP1806XE81 SP2608XE111 SP2808XE111 RS30081 SP30081	SP0550M	870 W	220-240 V~ 50 Hz / Гц 1 Phase/фаза/	3.6 A	16 µF	3.9 A	11,7 11,9 11,7 12,1 14,8 14,8
SP1611XE161 SP2611XE161 SP2811XE161 RS30111 SP30111	SP0750M	975 W	220-240 V~ 50 Hz / Гц 1 Phase/фаза	4.3 A	16 µF	4.7	13,4 13,9 13,5 15,3 15,3
SP1616XE221 SP2616XE221 SP2816XE221 RS30161 SP30161	SP1100M	1100 W	220-240 V~ 50 Hz / Гц 1 Phase/фаза	5 A	30 µF	5.5	15,4 15 15,1 17,9 17,9
SP1622XE251 SP1822XE251 SP3522XE251 RS30201	SP1500M	1550 W	220-240 V~ 50 Hz / Гц 1 Phase/фаза	7.25 A	30 µF	7.9	18,9 19,1 18,9 18,8
SP2808XE113	SP0550T	750 W	380-415 V~ 50 Hz / Гц 3 Phases/фазы	2.1 / 1.2 A	-	3 / 1.5	12,1
SP1611XE163 SP2611XE163 SP2811XE163 SP30113	SP0750T	975 W	380-415 V~ 50 Hz / Гц 3 Phases/фазы	3 / 1.7 A	-	4 / 2	13,4 13,9 13,5 15,3
SP1616XE223 SP2616XE223 SP2816XE223	SP1100T	1100 W	380-415 V~ 50 Hz / Гц 3 Phases/фазы	3.3 / 1.9 A	-	4 / 2	15,4 15 15,1
SP1622XE253 SP3522XE253 RS30203	SP1500T	1550 W	380-415 V~ 50 Hz / Гц 3 Phases/фазы	5.2 / 3 A	-	5.5 / 3.5	18,9 18,9 18,8
SP35303 RS30253 RS30303	SP2200T	2600 W	380-415 V~ 50 Hz / Гц 3 Phases/фазы	6.2 / 3.6 A	-	7 / 4	24,2 21,1 24,3

SP1800 SERIE

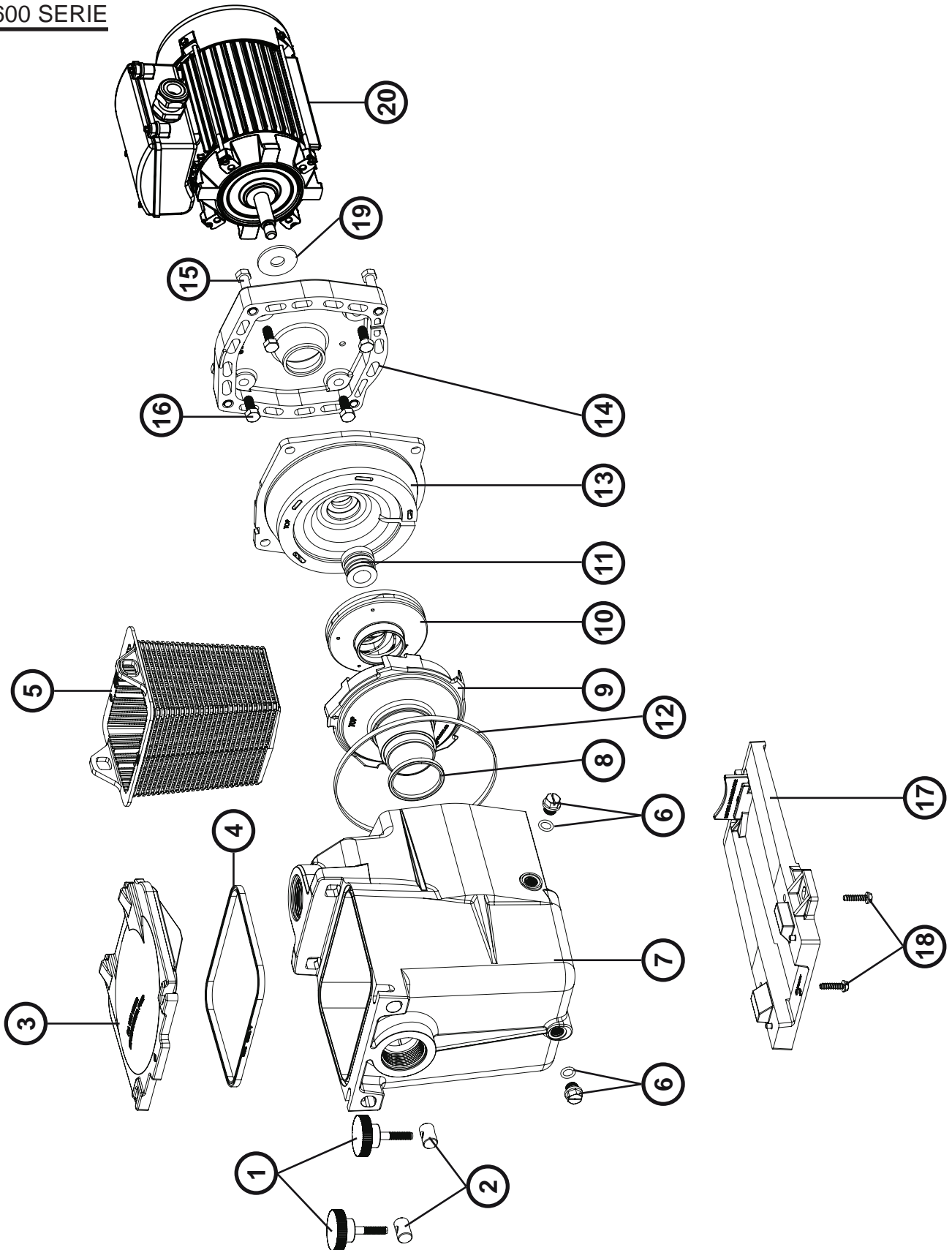


N°	Mod. SP1806XE81	Mod. SP2808XE11	Mod. SP2811XE16	Mod. SP2816XE22	Mod. SP1822XE251
1 + 20	SPX1600PN	SPX1600PN	SPX1600PN	SPX1600PN	SPX1600PN
2 + 3	SPX1250LA	SPX1250LA	SPX1250LA	SPX1250LA	SPX1250LA
3	SPX0125T	SPX0125T	SPX0125T	SPX0125T	SPX0125T
4	SPX2800M	SPX2800M	SPX2800M	SPX2800M	SPX2800M
5	SPX1700FG	SPX1700FG	SPX1700FG	SPX1700FG	SPX1700FG
6	SPX2800AA	SPX2800AA	SPX2800AA	SPX2800AA	SPX2800AA
7	SPX1600R	SPX1600R	SPX1600R	SPX1600R	SPX1600R
8	SPX1808BEX	SPX2800BE	SPX2800BE	SPX2800BE	SPX1808BEX
9	SPX1606CEX	SPX2607CE	SPX2610CE	SPX2615CE	SPX1622CEX
10	SPX1600Z2	SPX1600Z2	SPX1600Z2	SPX1600Z2	SPX1600Z2
11	SPX1600T	SPX1600T	SPX1600T	SPX1600T	SPX1600T
12 + 13	SPX1600EKIT	SPX2600EKIT	SPX2600EKIT	SPX2600EKIT	SPX1600EKIT
14	SPX1600Z4	SPX1600Z4	SPX1600Z4	SPX1600Z4	SPX1600Z4
15	SPX0125Z4E	SPX0125Z4E	SPX0125Z4E	SPX0125Z4E	SPX0125Z4E
16	SPX2600G1	SPX2600G1	SPX2600G1	SPX2600G1	SPX2600G1
17	SPX1600Z5	SPX1600Z5	SPX1600Z5	SPX1600Z5	SPX1600Z5
18	SPX0125F	SPX0125F	SPX0125F	SPX0125F	SPX0125F
19*	SPX0550M	SPX0550M	SPX0750M	SPX1100M	SPX1500M
19**	-	SPX0550T	SPX0750T	SPX1100T	-
3 + 7 + 10 + 11 + 18	SPX1800GS	SPX1800GS	SPX1800GS	SPX1800GS	SPX1800GS

* Single phase - Monofasé - Wechselstrommotor - Monofásicos - Monofase - Eenfasige - Monofásicos - Enfasig - Одна фаза.

** Three phase - Triphasé - Drehstrommotor - Trifásicos - Trifase - Driefasige - Trifásicos - Trefasig - Три фазы.

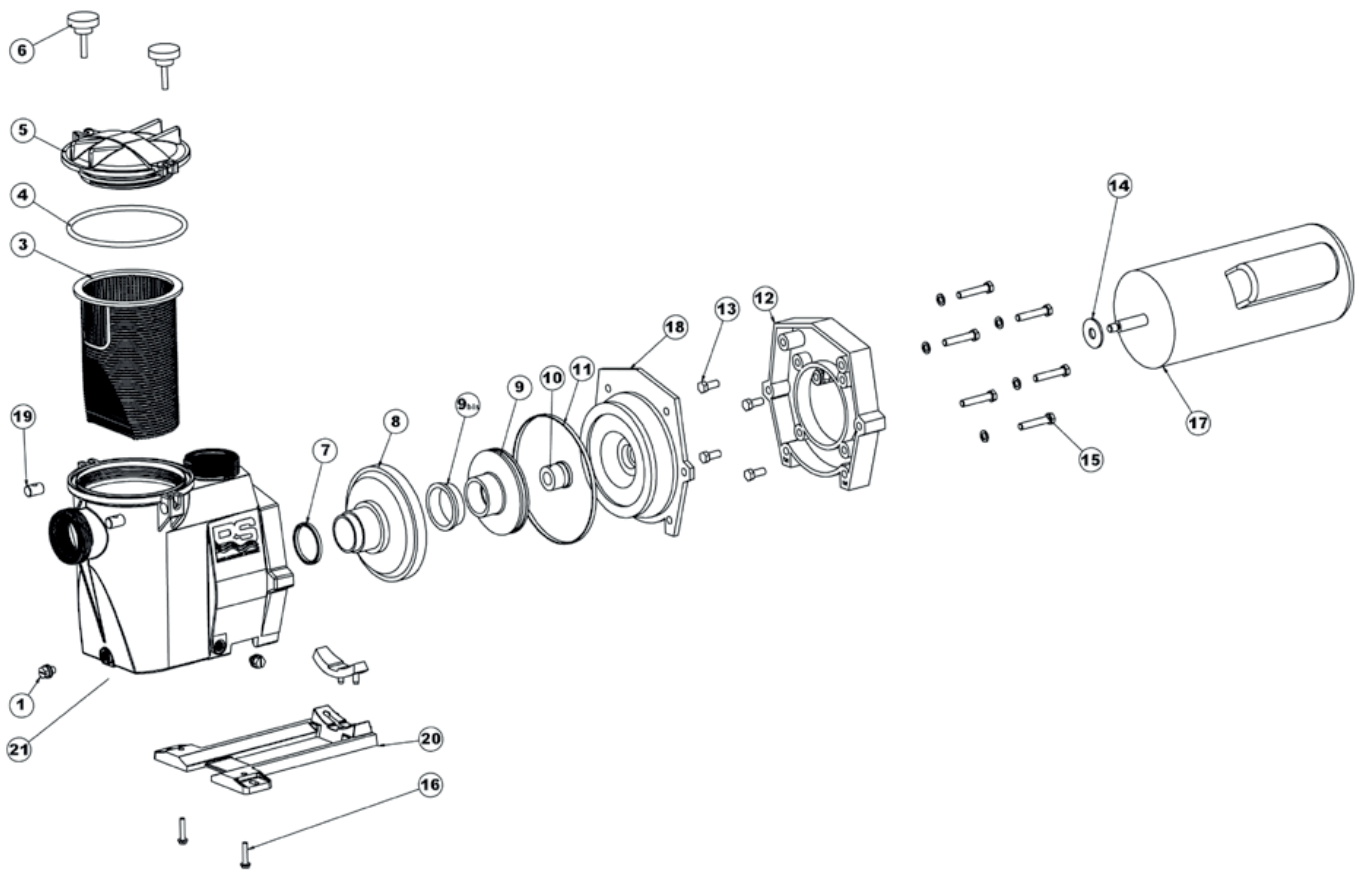
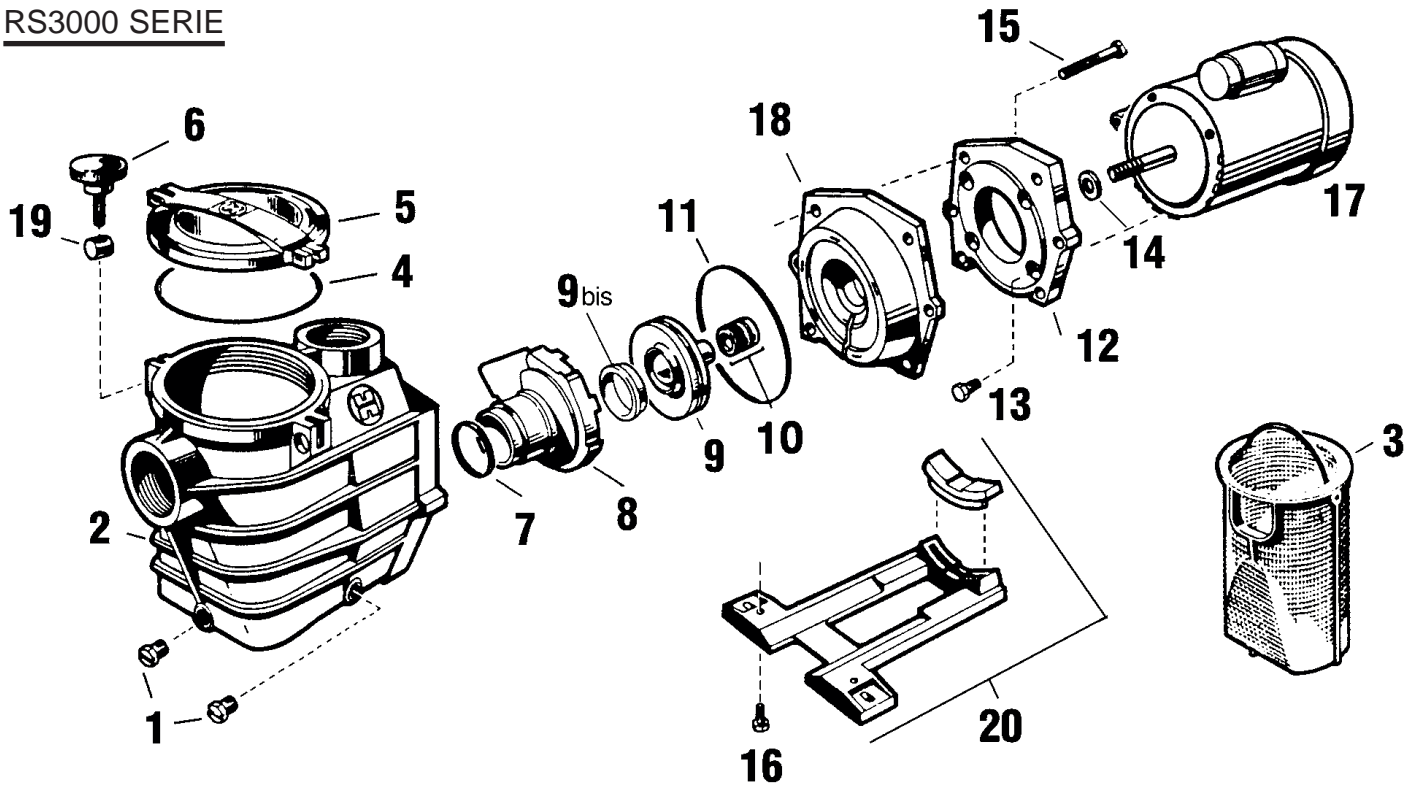
SP1600 SERIE



N°	Mod. SP1608XE11	Mod. SP2608XE11	Mod. SP1611XE16	Mod. SP2611XE16	Mod. SP1616XE22	Mod. SP2616XE22	Mod. SP1622XE25
1 + 2	SPX1600PN	SPX1600PN	SPX1600PN	SPX1600PN	SPX1600PN	SPX1600PN	SPX1600PN
3	SPX1600D	SPX1600D	SPX1600D	SPX1600D	SPX1600D	SPX1600D	SPX1600D
4	SPX1600S	SPX1600S	SPX1600S	SPX1600S	SPX1600S	SPX1600S	SPX1600S
5	SPX1600M	SPX1600M	SPX1600M	SPX1600M	SPX1600M	SPX1600M	SPX1600M
6	SPX1700FG	SPX1700FG	SPX1700FG	SPX1700FG	SPX1700FG	SPX1700FG	SPX1700FG
7	SPX1600AA	SPX1620AE	SPX1600AA	SPX1620AE	SPX1600AA	SPX1620AE	SPX1620AE
8	SPX1600R	SPX1600R	SPX1600R	SPX1600R	SPX1600R	SPX1600R	SPX1600R
9	SPX2600BE	SPX2600BE	SPX2600BE	SPX2600BE	SPX2600BE	SPX2600BE	SPX1608BEX
10	SPX2607CE	SPX2607CE	SPX2610CE	SPX2610CE	SPX2615CE	SPX2615CE	SPX1606CEX
11	SPX1600Z2	SPX1600Z2	SPX1600Z2	SPX1600Z2	SPX1600Z2	SPX1600Z2	SPX1600Z2
12	SPX1600T	SPX1600T	SPX1600T	SPX1600T	SPX1600T	SPX1600T	SPX1600T
13 + 14	SPX2600EKIT	SPX2600EKIT	SPX2600EKIT	SPX2600EKIT	SPX2600EKIT	SPX2600EKIT	SPX1600EKIT
15	SPX1600Z4	SPX1600Z4	SPX1600Z4	SPX1600Z4	SPX1600Z4	SPX1600Z4	SPX1600Z4
16	SPX0125Z4E	SPX0125Z4E	SPX0125Z4E	SPX0125Z4E	SPX0125Z4E	SPX0125Z4E	SPX0125Z4E
17	SPX2600G1	SPX2600G1	SPX2600G1	SPX2600G1	SPX2600G1	SPX2600G1	SPX2600G1
18	SPX1600Z5	SPX1600Z5	SPX1600Z5	SPX1600Z5	SPX1600Z5	SPX1600Z5	SPX1600Z5
19	SPX0125F	SPX0125F	SPX0125F	SPX0125F	SPX0125F	SPX0125F	SPX0125F
20*	SPX0550M	SPX0550M	SPX0750M	SPX0750M	SPX1100M	SPX1100M	SPX1500M
20**	-	-	SPX0750T	SPX0750T	SPX1100T	SPX1100T	SPX1500T
4 + 8 + 11 + 12 + 19	SPX1600GS	SPX1600GS	SPX1600GS	SPX1600GS	SPX1600GS	SPX1600GS	SPX1600GS

* Single phase - Monophasé - Wechselstrommotor - Monofásicos - Monofase - Eenfasige - Monofásicos - Enfasig - Одна фаза.

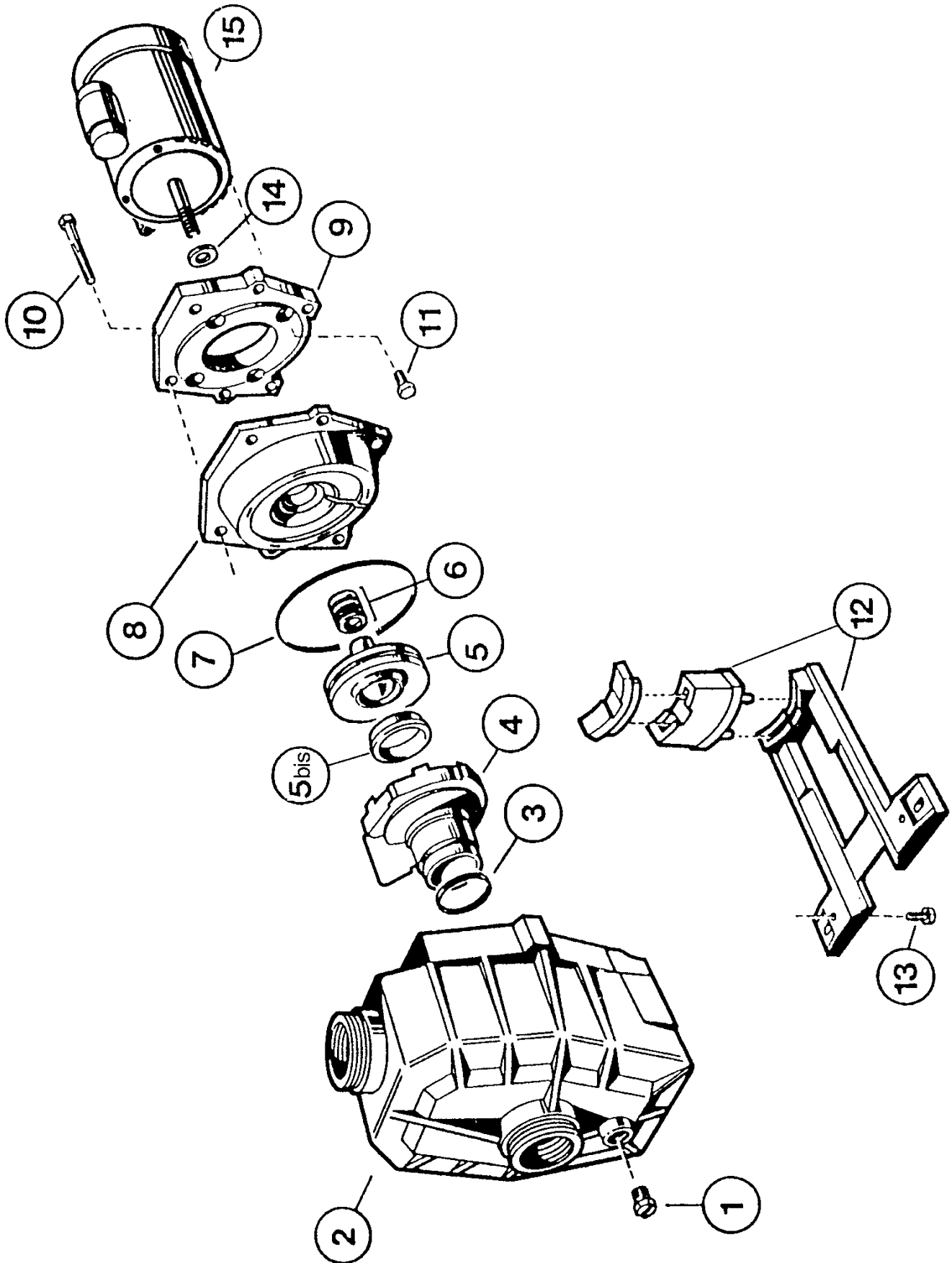
** Three phase - Triphasé - Drehstrommotor - Trifásicos - Trifase - Driefasige - Trifásicos - Trefasig - Три фазы.



N°	Mod. RS3008 SP3008	Mod. RS3011 SP3011	Mod. RS3016 SP3016	Mod. RS3020	Mod. RS3025	Mod. RS3030
1	SPX1700FG	SPX1700FG	SPX1700FG	SPX1700FG	SPX1700FG	SPX1700FG
2	RS750AAE	RS750AAE	RS750AAE	RS750AAE	RS750AAE	RS750AAE
3	SPX3000M	SPX3000M	SPX3000M	SPX3000M	SPX3000M	SPX3000M
4	SPX3000S	SPX3000S	SPX3000S	SPX3000S	SPX3000S	SPX3000S
5	SPX3000D	SPX3000D	SPX3000D	SPX3000D	SPX3000D	SPX3000D
7	SPX1600R	SPX1600R	SPX1600R	SPX1600R	SPX1600R	SPX1600R
8	SPX3000B	SPX3000B	SPX3021B	SPX3021B	SPX3021B	SPX3021B
9	SPX3008CE	SPX3011CE	SPX3016CE	SPX3021CE	SPX3026CE	SPX3031CE
9 bis	-	-	SPX3021R	SPX3021R	SPX3021R	SPX3021R
10	SPX1600Z2	SPX1600Z2	SPX1600Z2	SPX1600Z2	SPX1600Z2	SPX1600Z2
11	SPX3000T	SPX3000T	SPX3000T	SPX3000T	SPX3000T	SPX3000T
12	SPX3000FE	SPX3000FE	SPX3000FE	SPX3000FE	SPX3000FE	SPX3000FE
13	SPX0125Z4E	SPX0125Z4E	SPX0125Z4E	SPX0125Z4E	SPX0125Z4E	SPX0125Z4E
14	SPX0125F	SPX0125F	SPX0125F	SPX0125F	SPX0125F	SPX0125F
15	SPX1600Z4	SPX1600Z4	SPX1600Z4	SPX1600Z4	SPX1600Z4	SPX1600Z4
16	SPX1600Z5	SPX1600Z5	SPX1600Z5	SPX1600Z5	SPX1600Z5	SPX1600Z5
17*	SP0550M	SP0750M	SP1100M	SP1500M	-	-
17**	-	-	-	SP1500T	SP2200T	SP2200T
18	SPX3020E	SPX3020E	SPX3020E	SPX3020E	SPX3020E	SPX3020E
19 + 6	SPX1600PN	SPX1600PN	SPX1600PN	SPX1600PN	SPX1600PN	SPX1600PN
20	SPX3000GA	SPX3000GA	SPX3000GA	SPX3000GA	SPX3000GA	SPX3000GA
21	RSX750AAE	RSX750AAE	RSX750AAE	RSX750AAE	RSX750AAE	RSX750AAE
4 + 7 + 10 + 11 + 14	SPX3000GS	SPX3000GS	SPX3000GS	SPX3000GS	SPX3000GS	SPX3000GS

* Single phase - Monophasé - Wechselstrommotor - Monofásicos - Monofase - Eenfasige - Monofásicos - Enfasig - Одна фаза.

** Three phase - Triphasé - Drehstrommotor - Trifásicos - Trifase - Driefasige - Trifásicos - Trefasig - Три фазы.



N°	Mod. SP3522XE25	Mod. SP35303
1	SPX1700FG	SPX1700FG
2	SPX3520AE	SPX3520AE
3	SPX1600R	SPX1600R
4	SPX3521B	SPX3521B
5	SPX3021CE	SPX3031CE
5 bis	SPX3021R	SPX3021R
6	SPX1600Z2	SPX1600Z2
7	SPX3000T	SPX3000T
8	SPX3020E	SPX3020E
9	SPX3000FE	SPX3000FE
10	SPX1600Z4	SPX1600Z4
11	SPX0125Z4E	SPX0125Z4E
12	SPX3000GA	SPX3000GA
13	SPX1600Z5	SPX1600Z5
14	SPX0125F	SPX0125F
15*	SPX1500M	-
15**	SPX1500T	SPX2200T
3 + 6 + 7 + 14	SPX3500GS	SPX3500GS

* Single phase - Monophasé - Wechselstrommotor - Monofásicos - Monofase - Eenfasige - Monofásicos - Enfasig - Одна фаза.

** Three phase - Triphasé - Drehstrommotor - Trifásicos - Trifase - Driefasige - Trifásicos - Trefasig - Три фазы.

GARANTIE LIMITÉE

Les produits HAYWARD sont garantis contre tous défauts de fabrication ou de matières pendant 2 ans, à compter de la date d'achat. Toute demande d'application de la garantie devra s'accompagner de la preuve d'achat, portant mention de la date. Nous vous conseillons donc de conserver votre facture.

Dans le cadre de sa garantie, HAYWARD choisira de réparer ou de remplacer les produits défectueux, sous condition d'avoir été utilisés selon les instructions du guide correspondant, de n'avoir subi aucune modification, et de ne comporter que des pièces et composants d'origine. La garantie ne couvre pas les dommages dus au gel et aux produits chimiques. Tous les autres coûts (transport, main-d'oeuvre, etc.) sont exclus de la garantie.

HAYWARD ne pourra être tenue pour responsable des dommages directs ou indirects résultant d'une installation, d'un raccordement ou d'une utilisation incorrecte du produit.

Pour toute demande de bénéfice de la garantie et de réparation ou remplacement d'un article, contacter votre revendeur.

Le retour de l'équipement en usine ne sera accepté qu'avec notre accord préalable.

Les pièces d'usure ne sont pas couvertes par la garantie.

LIMITED WARRANTY

All HAYWARD products are covered for manufacturing defects or material defects for a warranty period of 2 years as of date of purchases. Any warranty claim should be accompanied by evidence of purchase, indicating date of purchase. We would therefore advise you to keep your invoice.

The HAYWARD warranty is limited to repair or replacement, as chosen by HAYWARD, of the faulty products, provided that they have been subjected to normal use, in compliance with the guidelines given in their user guides, provided that the products have not been altered in any way, and provided that they have been used exclusively with HAYWARD parts and components. The warranty does not cover damage due to frost and to chemicals. Any other costs (transport, labour, etc.) are excluded from the warranty.

HAYWARD may not be held liable for any direct or indirect damage resulting from incorrect installation, incorrect connection, or incorrect operation of a product.

In order to claim on a warranty and in order to request repair or replacement of an article, please ask your dealer.

No equipment returned to our factory will be accepted without our prior written approval.

Wearing parts are not covered by the warranty.

GARANTÍA LIMITADA

Todos los productos HAYWARD están cubiertos contra los defectos de fabricación o de material por una garantía de 2 años a partir de la fecha de la compra. Cualquier reclamación de garantía debe acompañarse con una prueba de compra, que indique la fecha de compra. Por consiguiente, le aconsejamos que conserve su factura.

La garantía HAYWARD está limitada a reparaciones o reemplazos, según la elección de HAYWARD, de los productos defectuosos, siempre que hayan sido sometidos a un uso normal, de acuerdo con las consignas indicadas en las guías del usuario, y siempre que los productos no hayan sido alterados de ninguna forma, y que se hayan utilizado exclusivamente con piezas y componentes HAYWARD. La garantía no cubre averías debidas a la congelación o a productos químicos. Cualquier otro coste (transporte, mano de obra, etc.) está excluido de la garantía.

HAYWARD declina toda clase de responsabilidad por cualquier daño directo o indirecto debido a la instalación incorrecta, la conexión incorrecta o una utilización incorrecta de un producto.

Para realizar una reclamación de garantía y para solicitar la reparación o el reemplazo de un artículo, póngase en contacto con su concesionario.

No se admitirá ninguna devolución de equipos a nuestra fábrica sin nuestra aprobación previa por escrito.

Las piezas sometidas a desgaste no están cubiertas por la garantía.

GARANTIA LIMITADA

Os produtos HAYWARD são garantidos contra quaisquer defeitos de fabrico ou de materiais por um período de 2 anos a contar da data de compra. Qualquer pedido ao abrigo da garantia deve ser acompanhado pelo comprovativo de compra, indicando a data de compra. Portanto, aconselhamos que guarde a sua fatura.

No âmbito da garantia, a HAYWARD decidirá reparar ou substituir os produtos defeituosos, na condição de que estes tenham sido utilizados de acordo com as instruções do manual correspondente, não tenham sido sujeitos a qualquer modificação e contenham apenas peças e componentes de origem. A garantia não cobre danos provocados pelo gelo ou por produtos químicos. Quaisquer outros encargos (transporte, mão-de-obra, etc.) estão excluídos da garantia.

A HAYWARD não pode ser responsabilizada por quaisquer danos resultantes, direta ou indiretamente, de instalação incorrecta, ligações incorrectas ou utilização incorrecta de um produto.

Para apresentar um pedido ao abrigo da garantia e para solicitar reparação ou substituição de um artigo, é favor contactar o seu revendedor.

Nenhum equipamento devolvido à nossa fábrica será aceite sem a nossa prévia aprovação por escrito.

As peças de desgaste não são abrangidas pela garantia.

BESCHRÄNKTE GARANTIE

Für alle Produkte von HAYWARD gilt ab Kaufdatum eine 2-jährige Garantie auf Herstellungs- oder Materialfehler. Zur Geltendmachung der Garantie legen Sie bitte den Kaufnachweis mit dem Kaufdatum vor. Daher empfehlen wir Ihnen, den Kaufbeleg gut aufzubewahren.

Die von HAYWARD gewährte Garantie beschränkt sich nach HAYWARDS Wahl auf die Reparatur oder den Ersatz der mangelhaften Produkte, vorausgesetzt, dass diese entsprechend den in der Benutzeranleitung gemachten Anweisungen einer normalen Benutzung unterzogen wurden, auf keinerlei Weise verändert wurden und ausschließlich aus Originalbau- und -ersatzteilen von HAYWARD bestehen. Auf Frost und Chemikalien zurückzuführende Schäden sind von der Garantie ausgeschlossen. Alle anderen Kosten (Transport, Arbeitszeit etc.) sind von der Garantie ausgeschlossen.

HAYWARD haftet nicht für direkte oder indirekte Schäden, die durch unsachgemäße Installation bzw. fehlerhaften Anschluss oder Betrieb des Produkts entstehen.

Um einen Garantieanspruch geltend zu machen und Reparatur oder Ersatz eines Artikels anzufordern, wenden Sie sich bitte an Ihren Händler.

Ohne unsere vorherige schriftliche Zustimmung nehmen wir keine an unser Werk gesendeten Geräte an.

Verschleißteile sind von der Garantie ausgeschlossen.

BEPERKTE GARANTIE

Voor alle HAYWARD-producten geldt een garantie van 2 jaar vanaf de aankoop voor alle materiaal- of fabricagefouten. Indien u gebruik wilt maken van deze garantie, moet u het aankoopbewijs waarop de aankoopdatum vermeld staat meesturen. We raden u daarom aan uw factuur te bewaren.

De garantie van HAYWARD beperkt zich tot het herstellen of vervangen, naar keuze van HAYWARD, van defecte producten, voor zover deze in normale gebruiksomstandigheden en in overeenstemming met de instructies van de gebruikershandleiding werden gebruikt en voor zover deze niet werden gewijzigd en uitsluitend werden gebruikt met HAYWARD-onderdelen en -componenten. De garantie geldt niet voor schade als gevolg van vorst en chemicaliën. Alle andere kosten (transport, arbeidsloon, enz.) zijn uitgesloten van garantie.

HAYWARD kan niet verantwoordelijk worden gehouden voor directe of indirecte schade die voortvloeit uit verkeerde installatie, verkeerde aansluiting of verkeerd gebruik van een product.

Om uw recht op garantie uit te oefenen en de reparatie of de vervanging van een product aan te vragen, moet u contact opnemen met uw leverancier.

Geen enkel apparaat dat naar onze fabriek wordt teruggestuurd, zal worden aanvaard zonder onze voorafgaande schriftelijke goedkeuring.

De garantie geldt niet voor reserveonderdelen.

GARANZIA LIMITATA

Tutti i prodotti HAYWARD sono garantiti contro i difetti di produzione o i difetti sul materiale per un periodo di 2 anni dalla data d'acquisto. Ogni eventuale richiesta di intervento in garanzia deve essere accompagnata da una prova d'acquisto riportante la data. Si consiglia, pertanto, di conservare la fattura o lo scontrino fiscale.

HAYWARD si riserva la scelta se riparare o sostituire i prodotti difettosi a condizione che questi siano stati utilizzati secondo le istruzioni riportate nel manuale d'uso, non siano stati modificati e non presentino parti e componenti non originali. La presente garanzia non copre i danni dovuti al gelo o all'azione di prodotti chimici. Ogni altro costo (trasporto, manodopera, ecc.) è escluso dalla presente garanzia.

HAYWARD non è da ritenersi responsabile per qualsiasi danno, diretto o indiretto, derivante da un'installazione non corretta, da collegamenti erronei o da un uso improprio del prodotto.

Per usufruire della presente garanzia e richiedere un intervento di riparazione o sostituzione di un articolo, contattare il proprio rivenditore. Nessun prodotto può essere rinviato direttamente in fabbrica senza la nostra preliminare autorizzazione.

Le parti usurabili non sono coperte da garanzia.

BEGRÄNSAD GARANTI

Alla produkter från Hayward omfattas av en garanti för tillverknings- och materialfel under två år från inköpsdatum. Bifoga inköpsbevis med datum vid garantifrågor. Vi rekommenderar därför att du sparar fakturan.

Haywards garanti täcker reparation eller byte, efter Haywards eget skön, av defekt produkt, förutsatt att denna använts på normalt sätt enligt anvisningarna i respektive användarhandbok och inte ändrats på något sätt samt att endast delar och komponenter från Hayward använts. Garantin täcker inte skada på grund av frost eller kemikalier. Inga ytterligare kostnader (frakt, arbete m.m.) täcks av garantin.

Hayward kan inte hållas ansvarig för direkt eller indirekt skada på grund felaktig installation, anslutning eller användning av produkten.

Vänligen kontakta din återförsäljare för garantifrågor och eventuell reparation eller byte av en artikel.

Ingen utrustning som återsänds till vår fabrik kommer att accepteras utan vårt skriftliga godkännande i förväg.

Garantin täcker inte slitdelar.

ОГРАНИЧЕННАЯ ГАРАНТИЯ

На ВСЕ изделия компании «HAYWARD» распространяется гарантия в случае обнаружения производственных либо материальных дефектов сроком на 2 года, начиная с даты покупки. К любым претензиям по гарантии следует в обязательном порядке прилагать доказательство покупки изделия, содержащее дату ее совершения. Поэтому мы настоятельно рекомендуем Вам сохранять счет-фактуру.

Гарантия, предоставляемая на изделия компании «HAYWARD», ограничивается ремонтом или заменой дефектных изделий по выбору компании «HAYWARD», при условии их нормальной эксплуатации с соблюдением требований, приведенных в руководствах к ним, а также при отсутствии каких-либо изменений данных изделий и использовании только оригинальных деталей и комплектующих. Гарантия не распространяется на повреждения, причиненные воздействием низких температур или химикатов. Все прочие расходы (транспортировка, обслуживание и т.п.) из гарантии исключены.

Компания «HAYWARD» не несет ответственности за любой прямой или косвенный ущерб, понесенный вследствие ненадлежащей установки, подключения или эксплуатации изделия.

Для того, чтобы предъявить претензии по гарантии или потребовать ремонта / замены изделия, обратитесь к своему дилеру.

Возврат оборудования на завод-изготовитель осуществляется только при нашем предварительном согласии.

Настоящая гарантия не распространяется на изнашиваемые части.



Hayward is a registered trademark
of Hayward Industries, Inc.
© 2015 Hayward Industries, Inc.