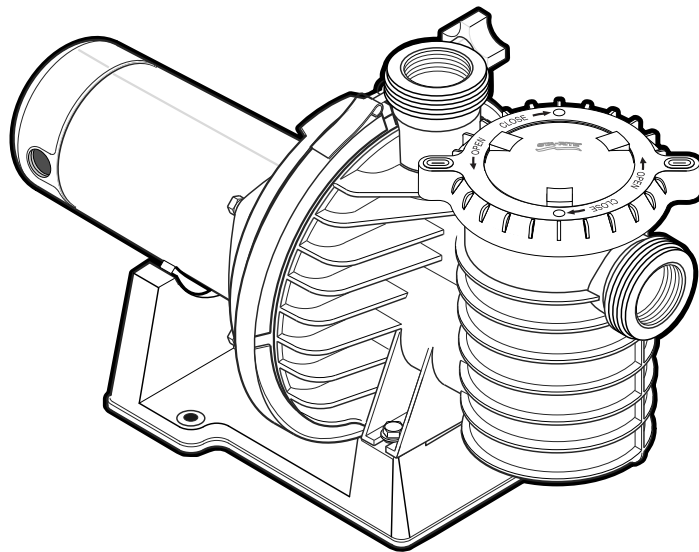


STA-RITE®

50 HZ. MAX-E-PRO™ CENTRIFUGAL PUMPS WITH INTEGRAL TRAP

O W N E R ' S M A N U A L

INSTALLATION, OPERATION & PARTS



5P6R Series MODELS

| HP | 1 Phase | 3 Phase |
|-------|------------|-------------|
| 3/4 | 5P6R6D-209 | 5P6R6D3-209 |
| 1 | 5P6R6E-210 | 5P6R6E3-210 |
| 1-1/2 | 5P6R6F-211 | 5P6R6F3-211 |
| 2 | 5P6R6G-212 | 5P6R6G3-212 |
| 3 | 5P6R6H-213 | 5P6R6H3-213 |

This manual should be given to the owner of this pump.

Pentair Water Pool and Spa, Inc.

© 2012 Pentair Water Pool and Spa, Inc. All rights reserved.

1620 Hawkins Ave., Sanford, NC 27330 • (919) 566-8000

10951 West Los Angeles Ave., Moorpark, CA 93021 • (805) 553-5000

Max-E-Pro™ and Sta-Rite® are trademarks and/or registered trademarks of Pentair Water Pool and Spa, Inc. and/or its affiliated companies in the United States and/or other countries. Unless noted, names and brands of others that may be used in this document are not used to indicate an affiliation or endorsement between the proprietors of these names and brands and Pentair Water Pool and Spa, Inc. Those names and brands may be the trademarks or registered trademarks of those parties or others.

S764 Rev B (5/13/12)

'5P6R' SERIES II PUMP WITH TRAP

To avoid unneeded service calls, prevent possible injuries, and get the most out of your pump, READ THIS MANUAL CAREFULLY!


The Sta-Rite '5P6R' Max-E-Pro Self-priming Centrifugal pumps:

- Are designed for use with swimming pools or as centrifugal pumps.
- Are excellent performers; durable, reliable.

Table of Contents

| | |
|-----------------------------|-------|
| Safety Instructions | 2 |
| Installation | 3-4 |
| Electrical..... | 5-6 |
| Operation..... | 7 |
| Storage/Winterizing | 8 |
| Pump Service | 8-9 |
| Troubleshooting Guide | 10 |
| Repair Parts List..... | 11-14 |

READ AND FOLLOW SAFETY INSTRUCTIONS!

 This is the safety alert symbol. When you see this symbol on your system or in this manual, look for one of the following signal words and be alert to the potential for personal injury.

▲ DANGER warns about hazards that will cause death, serious personal injury, or major property damage if ignored.

▲ WARNING warns about hazards that can cause death, serious personal injury, or major property damage if ignored.

▲ CAUTION warns about hazards that will or can cause minor personal injury or property damage if ignored.

NOTICE indicates special instructions not related to hazards.

Carefully read and follow all safety instructions in this manual and on equipment. Keep safety labels in good condition; replace if missing or damaged.

IMPORTANT SAFETY INSTRUCTIONS

Always follow basic safety precautions with this equipment, including the following.

▲ WARNING To reduce the risk of injury, do not permit children to use this product unless they are closely supervised at all times.

▲ CAUTION This pump is for use with permanently installed pools and may also be used with hot tubs and spas if so marked. Do not use with storable pools. A permanently installed pool is constructed in or on the ground or in a building such that it cannot be readily disassembled for storage. A storable pool is constructed so that it may be readily disassembled for storage and reassembled to its original integrity.

SAVE THESE INSTRUCTIONS

▲ WARNING Incorrectly installed or tested equipment may fail, causing severe injury or property damage.

Read and follow instructions in owner's manual when installing and operating equipment. Have a trained pool professional perform all pressure tests.

1. Do not connect system to a high pressure or city water system.
2. Use equipment only in a pool or spa installation.
3. Install pump with at least 2 hydraulically balanced main drains equipped with correctly installed, screw-fastened, anti-entrapment certified covers. See Page 4.
4. Trapped air in system can cause explosion. BE SURE all air is out of system before operating or testing equipment.

Before pressure testing, make the following safety checks:

- Check all clamps, bolts, lids, and system accessories before testing.

- Release all air in system before testing.
- Water pressure for test must be less than 25 PSI (7.5 kg/cm²).
- Water Temperature for test must be less than 100° F (38° C).
- Limit test to 24 hours. After test, visually check system to be sure it is ready for operation. Remove trap lid and retighten hand tight only.

NOTICE: These parameters apply to Sta-Rite equipment only. For non-Sta-Rite equipment, consult manufacturer.

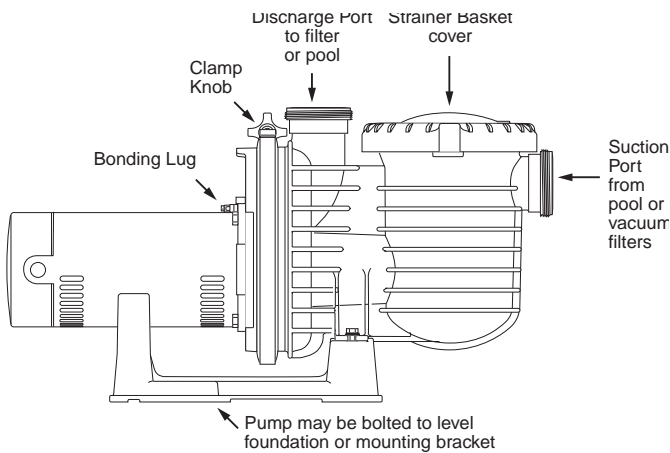


Figure 1

INSTALLATION

Only qualified, licensed personnel should install pump and wiring.

Pump mount must:

Be located away from corrosive or flammable chemicals.

Have enough ventilation to maintain air temperature at less than the maximum ambient temperature rating (Max. Amb.) listed on the motor model plate. If this pump is installed in an enclosure/pump house, the enclosure must have adequate ventilation and air circulation to keep the temperature in the enclosure at or below the motor's rated ambient temperature whenever the pump is running.

Be solid - Level - Rigid - Vibration free. (To reduce vibration and pipe stress, bolt pump to mount.)

Allow pump suction inlet height to be as close to water level as possible.

Allow use of short, direct suction pipe (To reduce friction losses).

Allow for gate valves in suction and discharge piping.

Have adequate floor drainage to prevent flooding.

Be protected from excess moisture.

Allow adequate access for servicing pump and piping.

NOTICE: Use thread seal tape for making all threaded connections to the pump. Do not use pipe dope; pipe dope will cause stress cracking in the pump.

NOTICE: Pump suction and discharge connections have molded in thread stops. DO NOT try to screw pipe in beyond these stops.

▲ WARNING Fire and burn hazard. Modern motors run at high temperatures. To reduce the risk of fire, do not allow leaves, debris, or foreign matter to collect around the pump motor. To avoid burns when handling the motor, let it cool for 20 minutes before trying to work on it.

Taping Instructions:

Use only new or clean PVC pipe fittings.

Wrap male pipe threads with one to two layers of thread seal tape. Cover entire threaded portion of pipe.

Do not overtighten or tighten past thread stop in pump port!

If leaks occur, remove pipe, clean off old tape, rewrap with one to two additional layers of tape and remake the connection.

NOTICE: Support all piping connected with pump!

POOL PUMP SUCTION REQUIREMENTS

Piping:

Use at least 2" IPS PVC (51mm) pipe. Increase size if a long run is needed.

To avoid strains on the pump, support both suction and discharge pipes independently. Place these supports near the pump.

To avoid a strain left by a gap at the last connection, start all piping at the pump and run pipe away from the pump.

Never use a suction pipe smaller than pump suction connection.

To avoid airlocking, slope suction pipe slightly upward toward the pump.

NOTICE: To prevent flooding when removing pump for service, all flooded suction systems must have gate valves in suction and discharge pipes.

Fittings:

Fittings restrict flow; for best efficiency use fewest possible fittings.

Avoid fittings which could cause an air trap.

Pool fittings must conform to International Association of Plumbing and Mechanical Officials (IAPMO) standards.

Use only non-entrapping suction fitting or double suction.

▲ WARNING Pump suction is hazardous and can trap and drown or disembowel bathers. Do not use or operate swimming pools, spas, or hot tubs if a suction outlet cover is missing, broken, or loose. Follow the guidelines below for a pump installation which minimizes risk to users of pools, spas, and hot tubs.

Entrapment Protection

The pump suction system must provide protection against the hazard of suction entrapment or hair entrapment/entanglement.

Suction Outlet Covers

All suction outlet covers must be maintained. They must be replaced if cracked, broken, or missing.

See below for outlet cover certification requirements.

All suction outlets must have correctly installed, screw-fastened covers in place.

Testing and Certification

Suction outlet covers must have been tested by a nationally recognized testing laboratory and found to comply with the latest ASME/ANSI Specification for Suction Fittings For Use in Swimming Pools, Spas, Hot Tubs, and Whirlpool Bathtub Applications.

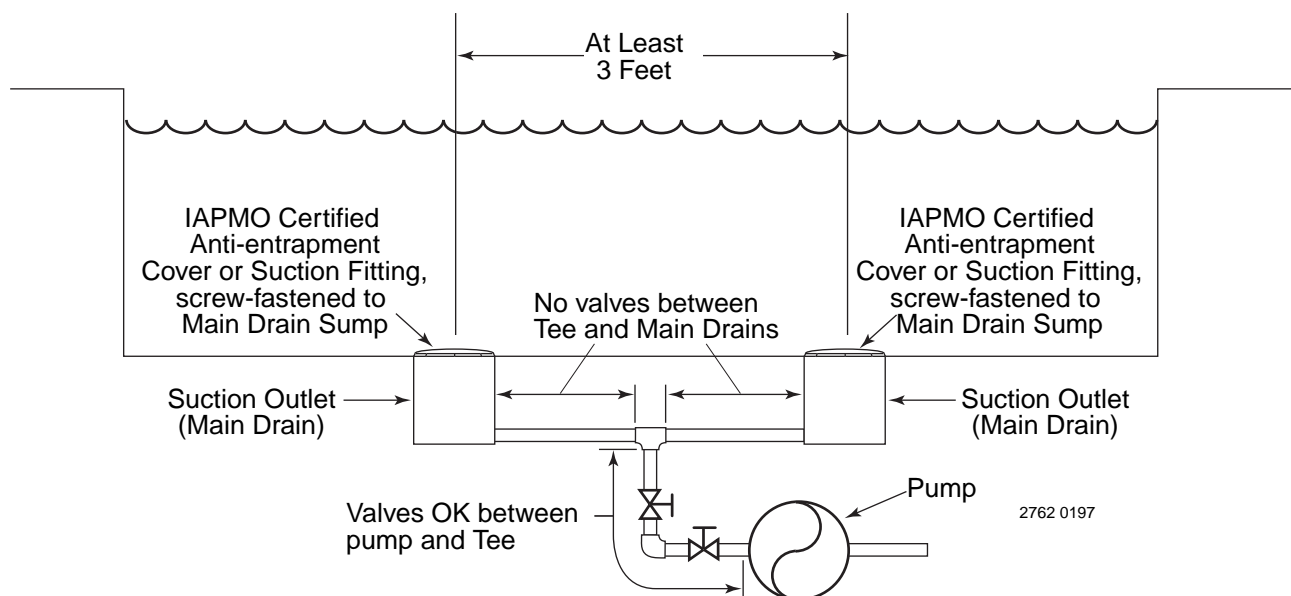


Figure 2 – Recommended pump suction layout.

Outlets Per Pump



Provide at least two hydraulically balanced main drains, with covers (see below), for each swimming pool pump suction line. The centers of the main drains (suction fittings) must be at least three feet apart.

The system must be built so that it cannot operate with the pump drawing water from only one main drain (that is, there must be at least two main drains connected to the pump whenever it is running). (See Figure 2). However, if two main drains run into a single suction line, the single suction line may be equipped

with a valve which will shutoff both main drains from the pump (see Figure 2).

More than one pump can be connected to a single suction line as long as the requirements above are met.

Water Velocity

The maximum water velocity through any suction outlet must be 1.5 feet (46cm) per second unless the outlet complies with the latest ASME/SNSI Specification for Suction Fittings For Use in Swimming Pools, Spas, Hot Tubs, and Whirlpool Bathtub Applications. In any case, do not exceed the suction fittings maximum designed flow rate.

If 100% of the pump's flow comes from the main drain system, the maximum water velocity in the pump suction hydraulic system must be 6 feet (183cm) per second or less even if one main drain (suction fitting) is completely blocked. The flow through the remaining main drain(s) must comply with the latest ASME/ANSI Specification for Suction Fittings For Use in Swimming Pools, Spas, Hot Tubs, and Whirlpool Bathtub Applications.

ELECTRICAL

⚠ Ground motor before connecting to electrical power supply. Failure to ground motor can cause severe or fatal electrical shock hazard.

⚠ Do not ground to a gas supply line.

⚠ To avoid dangerous or fatal electrical shock, turn OFF power to motor before working on electrical connections.

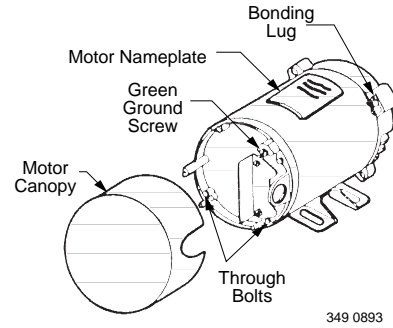


Figure 3: Typical ground screw and bonding lug locations.

⚠ Ground Fault Circuit Interrupter (GFCI) tripping indicates an electrical problem. If GFCI trips and will not reset, have a qualified electrician inspect and repair electrical system.

⚠ Exactly match supply voltage to nameplate voltage. Incorrect voltage can cause fire or seriously damage motor and voids warranty. If in doubt consult a licensed electrician.

Voltage

Voltage at motor must be not more than 10% above or below motor nameplate rated voltage or motor may overheat, causing overload tripping and reduced component life. If voltage is less than 90% or more than 110% of rated voltage when motor is running at full load, consult power company.

Grounding/Bonding

Install, ground, bond and wire motor according to local or National Electrical Code requirements.

Permanently ground motor. Use green ground terminal provided under motor canopy or access plate (See Figure 3); use size and type wire required by code. Connect motor ground terminal to electrical service ground.

Bond motor to pool structure. Use a solid copper

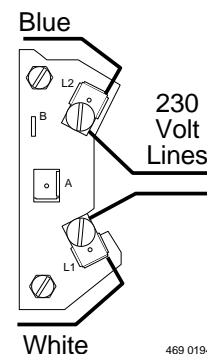


Figure 4: Single phase, single voltage wiring connection diagram. For 3-phase connections, refer to motor nameplate.

conductor, size No. 8 AWG (8.4 sq.mm) or larger. Run wire from external bonding lug (see Figure 3) to reinforcing rod or mesh.

Connect a No. 8 AWG (8.4 sq.mm) solid copper bonding wire to the pressure wire connector provided on the motor housing and to all metal parts of the swimming pool, spa, or hot tub and to all electrical equipment, metal piping or conduit within 5 feet (1.5 m) of the inside walls of swimming pool, spa, or hot tub.

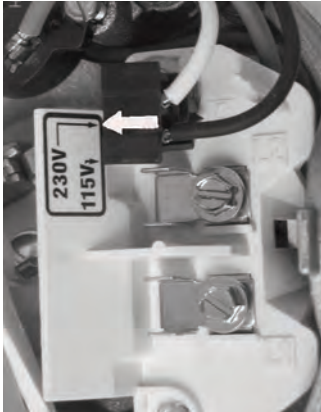


Figure 5A -Voltage Change Plug Set for 230 Volts



Figure 5B Voltage Change Plug Set for 115 Volts

Wiring

Pump must be permanently connected to circuit. Match wire and circuit breaker sizes to Table I (Page 6). If other lights or appliances are also on the same circuit, be sure to add their amp loads to pump amp load. (If unsure how to do this or if this is confusing, consult a licensed electrician.) Use the load circuit breaker as the master on-off switch.

Install a Ground Fault Circuit Interrupter (GFCI) in circuit; it will sense a short-circuit to ground and

TABLE I - RECOMMENDED FUSING AND WIRING DATA

Serv. to Motor - Dist. Meters

| Motor HP | Branch Fuse Rating Amps* | Max Load Amps | Voltage/ Hz/Phase | 0-30 M | 31-61 M | 62-91 M | Wire Size mm ² |
|----------|--------------------------|---------------|-------------------|--------|---------|---------|---------------------------|
| 3/4 | 20 | 12.2 | 115/50/1 | 3.0 | 5.5 | 8.4 | |
| 1 | 20 | 15.4 | 115/50/1 | 3.0 | 8.4 | 14.0 | |
| 1-1/2 | 30 | 19.4 | 115/50/1 | 5.5 | 8.4 | 14.0 | |
| 3/4 | 15 | 6.1 | 230/50/1 | 2.0 | 2.0 | 2.0 | } |
| 1 | 15 | 7.7 | 230/50/1 | 2.0 | 2.0 | 2.0 | |
| 1-1/2 | 15 | 9.7 | 230/50/1 | 2.0 | 2.0 | 3.0 | |
| 2 | 20 | 10.5 | 230/50/1 | 2.0 | 2.0 | 3.0 | |
| 3 | 20 | 13.9 | 230/50/1 | 3.0 | 3.0 | 5.5 | |
| 3/4 | 15 | 3.6 | 220/50/3 | 2.0 | 2.0 | 2.0 | } |
| 1 | 15 | 4.0 | 220/50/3 | 2.0 | 2.0 | 2.0 | |
| 1-1/2 | 15 | 5.15 | 220/50/3 | 2.0 | 2.0 | 2.0 | |
| 2 | 15 | 6.6 | 220/50/3 | 2.0 | 2.0 | 2.0 | |
| 3 | 15 | 8.0 | 220/50/3 | 2.0 | 2.0 | 2.0 | |
| 3/4 | 15 | 2.1 | 380/50/3 | 2.0 | 2.0 | 2.0 | } |
| 1 | 15 | 2.3 | 380/50/3 | 2.0 | 2.0 | 2.0 | |
| 1-1/2 | 15 | 3.0 | 380/50/3 | 2.0 | 2.0 | 2.0 | |
| 2 | 15 | 3.8 | 380/50/3 | 2.0 | 2.0 | 2.0 | |
| 3 | 15 | 4.7 | 380/50/3 | 2.0 | 2.0 | 2.0 | |

disconnect power before it becomes dangerous to pool users. For size of GFCI required and test procedures for GFCI, see manufacturer's instructions.

In case of power outage, check GFCI for tripping (which will prevent normal water circulation). Reset if necessary.

NOTICE: If you do not use conduit when wiring motor, be sure to seal wire opening on end of motor to prevent dirt, bugs, etc., from entering motor.

▲WARNING Risk of dangerous or fatal electrical shock.

Be sure that power to the motor circuit is off before working on wiring, wiring connections, or motor. Re-install the motor end cover and all other wiring covers before turning on the power.

1. If you have 230 volts motor supply voltage, confirm that the plug is set for 230 volts. The arrow on the plug will point to the 230 volt position. Note that plug only connects with one prong in this position.
2. If you have 115 volt supply, pull the plug straight up and place it on the two brass prongs as shown.

NOTE: Arrow is highlighted for clarity.



1. Turn off power.
2. Remove the motor end cover.

To Wire a Single Speed, Single Voltage Motor

Remove the motor end cover.

There are two terminals labeled L1 and L2. Attach the power leads to these terminals. Either wire may attach to either terminal.

To Wire a Dual-Voltage Motor

Dual voltage motors have a plug to change from 230 volts (factory setting) to 115 volts.

OPERATION

⚠ NEVER run pump dry. Running pump dry may damage seals, causing leakage and flooding. Fill pump with water before starting motor.

⚠ WARNING



**Hazardous voltage.
Can shock, burn,
or cause death.**

Disconnect power
before working
on pump or motor.

⚠ CAUTION Before removing trap cover:

1. STOP PUMP before proceeding.
2. CLOSE GATE VALVES in suction and discharge pipes.
3. RELEASE ALL PRESSURE from pump and piping system.
4. NEVER tighten or loosen clamp while pump is operating!



If pump is being pressure tested, be sure pressure has been released before removing trap cover.

⚠ Do not block pump suction. To do so with body may cause severe or fatal injury. Small children using pool must ALWAYS have close adult supervision.

⚠ WARNING Fire and burn hazard. Modern motors run at high temperatures. To reduce the risk of fire, do not allow leaves, debris, or foreign matter to collect around the pump motor. To avoid burns when handling the motor, let it cool for 20 minutes before trying to work on it. An automatic internal cutoff switch protects the motor from heat damage during operation.

NOTICE: Maximum ambient temperature for motor operation must not exceed maximum ambient temperature rating on motor model plate.

Priming Pump

Release all pressure from filter, pump, and piping system; see the filter owner's manual.

In a flooded suction system (water source higher than pump), pump will prime itself when suction and discharge valves are opened.

If pump is not in a flooded suction system, remove trap cover handle ring and trap cover; fill trap and pump with water.

Do not lubricate the trap cover O-Ring. The original equipment O-Ring contains a permanent internal lubricant.

NOTICE: If you replace the O-Ring with a non-internally lubricated O-Ring, you may need to apply a silicone based lubricant.

Clean and inspect O-Ring; reinstall on trap.

Replace trap cover and handle ring on trap; turn handle ring clockwise to tighten cover.

NOTICE: Tighten trap cover handle ring by hand only (no wrenches)!

Pump should prime now. Priming time will depend on vertical length of suction lift and horizontal length of suction piping.

If pump does not prime, make sure that all valves are open, suction pipe end is under water, and that there are no leaks in suction pipe.

See Troubleshooting Guide, Page 10.

Routine Maintenance

The only routine maintenance needed is inspection/cleaning of trap basket. Debris or trash that collects in basket will choke off water flow through the pump. Follow instructions below to clean trap:

1. Stop pump, close valves in suction and discharge, and release all pressure from system before proceeding.
2. Remove trap cover handle ring (turn counterclockwise). If necessary, tap handles gently with a rubber mallet.
3. Remove strainer basket and clean. Be sure all holes in basket are clear, flush basket with water and replace in trap with large opening at pipe connection port (between ribs provided). If basket is replaced backwards cover will not fit on trap body.
4. Clean and inspect lid O-Ring; reinstall on trap.
5. Clean O-Ring groove on trap body and replace cover and handle ring. To help keep cover from sticking, tighten hand tight only.
6. Prime pump (see priming instructions).

⚠ WARNING



**Hazardous voltage.
Can shock, burn,
or cause death.**

Disconnect power
before working
on pump or motor.

Draining Pump

1. Pump down water level below all inlets to the pool.

⚠ To avoid dangerous or fatal electrical shock hazard, turn OFF power to motor before draining pump.

2. Remove trap cover and use low pressure air to blow accumulated water from the piping system. Lugs have been provided on the trap lid to use a rubber mallet if needed.
3. Cap inlet piping after draining to keep water out of the pipes.
4. To prevent pump from freezing, remove trap cover and drain the tank body through the drain plugs (Key No. 19, Pages 11 - 13). Clean pump and trap basket thoroughly; replace trap cover.
NOTICE: Tighten trap cover by hand only (no wrenches)! Use a rubber mallet only if necessary to remove cover! If pump is not anchored, use caution not to break attached piping!
5. Be sure motor is kept dry and covered.

Storage/Winterizing:

⚠ WARNING Explosion hazard. Purging the system with compressed air can cause components to explode, with risk of severe injury or death to anyone nearby. Use only a low pressure (below 5 PSI, 35 kPa, or 0.34 Bar), high volume blower when air purging the pump, filter, or piping.

NOTICE: Allowing pump to freeze will damage pump and void warranty!

NOTICE: Do not use anti-freeze solutions (except propylene glycol) in your pool/spa system. Propylene glycol is non-toxic and will not damage plastic system components; other anti-freezes are highly toxic and may damage plastic components in the system.

Drain all water from pump and piping when expecting freezing temperatures or when storing pump for a long time (see instructions below).

Keep motor dry and covered during storage.

To avoid condensation/corrosion problems, do not cover pump with plastic.

For outdoor/unprotected installations:

1. Gravity drain system as far as possible.
2. Protect areas which retain water with non-toxic propylene glycol antifreeze ("RV antifreeze").
3. Enclose entire system in a weatherproof enclosure.
4. To avoid condensation/corrosion damage, allow ventilation; do not wrap system in plastic.
5. Use a 40% propylene glycol/60% water solution to protect pump to -50°F (-46°C).

Startup For Winterized Equipment

1. Remove any temporary weather protection placed around system.

2. Follow filter manufacturer's instructions for reactivation of the filter.



Figure 7: Press seal into heat sink in seal plate

3. Inspect all electrical wiring for damage or deterioration over the shutdown period. Have a qualified serviceman repair wiring as needed.
 4. Inspect and tighten all watertight connections.
 5. Open all valves in suction and return piping.
 6. Remove any winterizing plugs in piping system.
 7. Drain all antifreeze from system.
 8. Close all drain valves and replace all drain plugs in piping system.
9. Prime pump according to instructions on Page 7.

PUMP SERVICE

Pump should only be serviced by qualified personnel.

Be sure to prime pump (Page 7) before starting.

⚠ CAUTION Before removing clamp or trap cover:

1. STOP PUMP before proceeding.
2. CLOSE GATE VALVES in suction and discharge pipes.
3. RELEASE ALL PRESSURE from pump and piping system.
4. NEVER tighten or loosen clamp while pump is operating!


⚠ To avoid dangerous or fatal electrical shock hazard, turn OFF power to motor before working on pump or motor.

No lubrication or regular maintenance is needed beyond reasonable care and periodic cleaning of strainer basket.

If shaft seal is worn or damaged, repair as follows:

Pump Disassembly/Removing Old Seal

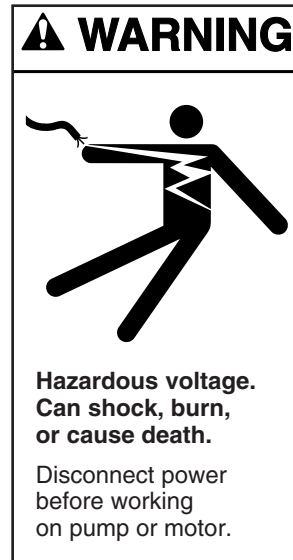
Disconnect power to pump motor.


 Be sure gate valves on suction and return piping are closed before starting work.

Release all pressure by opening all vents before starting work.

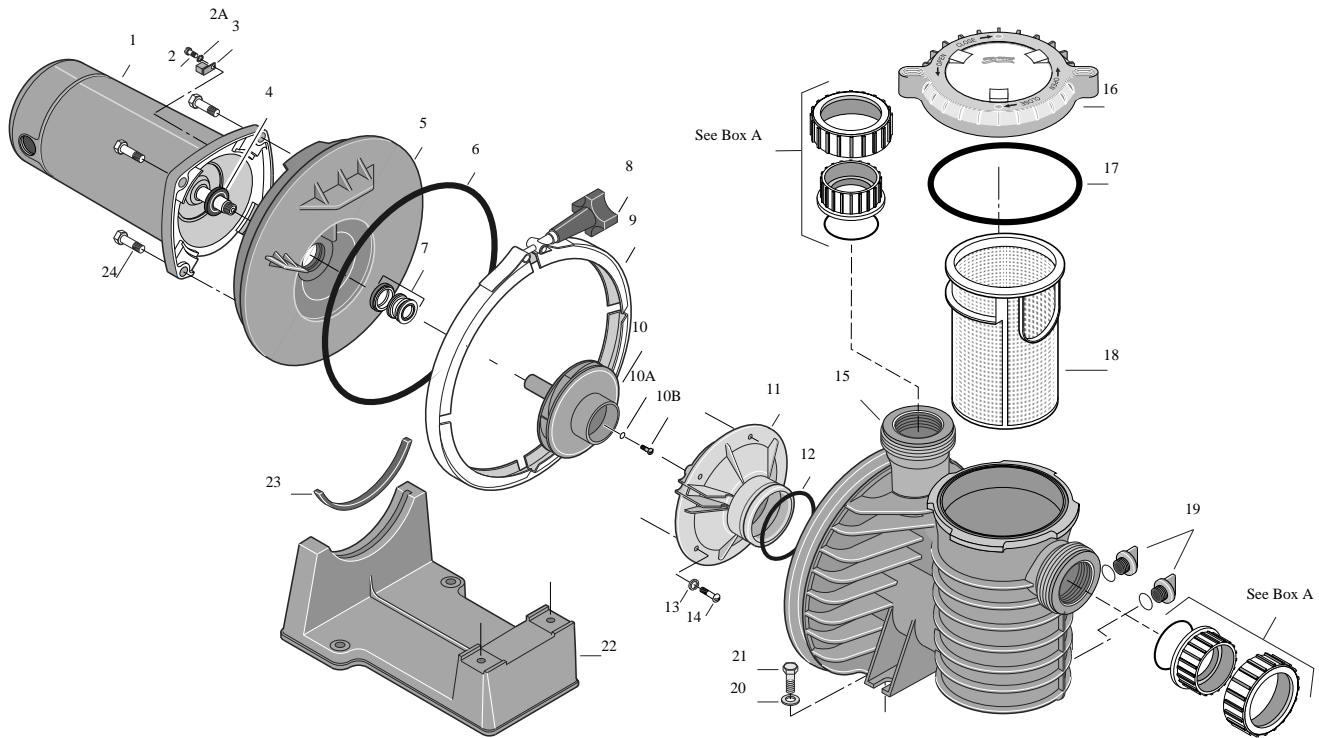
1. Drain pump by removing drain plugs on bottom of pump body and trap body.
2. Be sure there is no pressure in trap body; remove cover (unscrew by turning counterclockwise).
3. Remove clamp holding pump halves together. Motor and seal plate assembly can now be pulled away from pump body.
4. Remove five screws and washers holding diffuser to seal plate. Remove diffuser.
5. Remove motor canopy. Being careful not to touch capacitor terminals, loosen capacitor clamp and move capacitor to one side.
6. Hold shaft with 7/16" open-end wrench on motor shaft flats.
7. Unscrew impeller from shaft (turn counterclockwise when facing it).
NOTICE: On models with impeller screw: Remove impeller screw (left hand thread - turn clockwise) and gasket before removing impeller. Inspect gasket for damage, cracks, etc. Replace if damaged.
8. Pull rotating member of seal off of impeller sleeve; clean sleeve.
9. Remove four screws holding seal plate to motor.
10. Place seal plate face down on flat surface and tap out ceramic seat.
11. Clean seal cavity in seal plate and clean motor shaft.

Pump Reassembly/Installing New Seal



1. Ceramic seat must be clean and free of dirt, grease, dust, etc. Wet outer edge of rubber cup on ceramic seat with small amount of liquid detergent; press ceramic seat into seal plate firmly and squarely with finger pressure (Figure 7).
 2. If ceramic seat will not locate properly, remove it, place face up on bench and reclean cavity. Ceramic seat should now locate.
 3. If seat still will not locate properly, place a cardboard washer over the polished face and use a piece of 3/4" (19mm) standard pipe for pressing purposes.
NOTICE: Be sure not to scratch or mar polished surface or seal will leak.
 4. Remount seal plate on motor. Tighten bolts to 60-80 inch-lbs. (69-92 kg/cm) torque.
 5. Apply a small amount of liquid detergent to inside diameter of rotating half of seal.
 6. Slide rotating seal member, polished face last, over impeller sleeve until rubber drive ring hits shoulder.
NOTICE: Be sure not to nick or scratch polished seal face; seal will leak if face is damaged.
 7. Screw impeller onto shaft (clockwise); this will automatically locate seal in seal plate.
NOTICE: On models with impeller screw: Install impeller gasket and lock screw (left-hand thread - turn counterclockwise). Torque lock screw to 50-55 inch-lbs. (57.6-63 kg/cm).
 8. Mount diffuser on seal plate; tighten screws to 10-14 inch-lbs. (11.2-16.1 kg/cm) torque.
 9. Assemble motor and seal plate to volute; be sure clamp is properly seated.
NOTICE: Clamp knob can be located in any position around volute; if it is moved after assembly, tighten knob while tapping around clamp to assist sealing. Do not move clamp while pump is full of water.
-  **WARNING** Hazardous pressure. Release all pressure from pump and piping system before working on pump or attempting to adjust or remove clamp. Clamp may blow off of pump if adjusted under pressure.
10. Prime pump according to instructions on Page 7.

5P6R SERIES
50 Hz. MAX-E-PRO POOL PUMP
3/4 and 1 HP



REPAIR PARTS LIST

4285 1102

| Key No. | Part Description | Qty. | Part No. |
|------------|-------------------------------------|------|----------------|
| 1 | Motor | 1 | Chart at Right |
| 2 | #10-32 x 1/2" Screw | 1 | U30-692SS |
| 3 | Bonding Lug | 1 | U17-568 |
| 4 | Water Slinger | 1 | 17351-0009 |
| 5 | Seal Plate | 1 | C103-194P |
| 6 | O-Ring | 1 | U9-228A |
| 7 | Shaft Seal | 1 | 37400-0027S |
| 8 | Clamp | 1 | C19-37A |
| 9 | Clamp Knob | 1 | WC36-22 |
| 10 | Impeller | 1 | Chart at Right |
| 10A | Impeller O-Ring* | 1 | 35505-1426 |
| 10B | Impeller Screw* | 1 | 37337-6081 |
| 11 | Diffuser | 1 | C1-271P |
| 12 | Diffuser O-Ring | 1 | U9-374 |
| 13 | #8 Lock Washer | 5 | U43-21SS |
| 14 | #8 - 32 x 1-1/8" Screw | 5 | U30-922SS |
| 15 | Tank Body (BSP Threads) | 1 | 17307-0110W |
| 16 | Trap Cover** | 1 | 17307-0111S |
| 17 | Trap O-Ring | 1 | 35505-1440 |
| 18 | Basket | 1 | C8-58P |
| 19 | 1/4" NPT Drain Plug | 2 | U178-920P |
| 20 | Base Washer | 2 | U43-41SS |
| 21 | Base Screw | 2 | U30-918SS |
| 22 | Base w/Motor Pad | 1 | C104-78P |
| 23 | Motor Pad | 1 | C35-43 |
| 24 | 3/8-16 x 1" Hex Head Screw | 4 | U30-74SS |
| | • Motor Nameplate | 1 | 32155-7117 |
| | • Tag, "CAUTION" | | |
| 61002-0002 | | | |
| | • Tag, "CAUTION, WARNING (Bonding)" | | C63-12 |

Box A

For quick disconnect pipe connections, purchase separately:
Pkg. 188 2" Slip 1/2 Union Kit or
Pkg. 189 2" NPT 1/2 Union Kit.

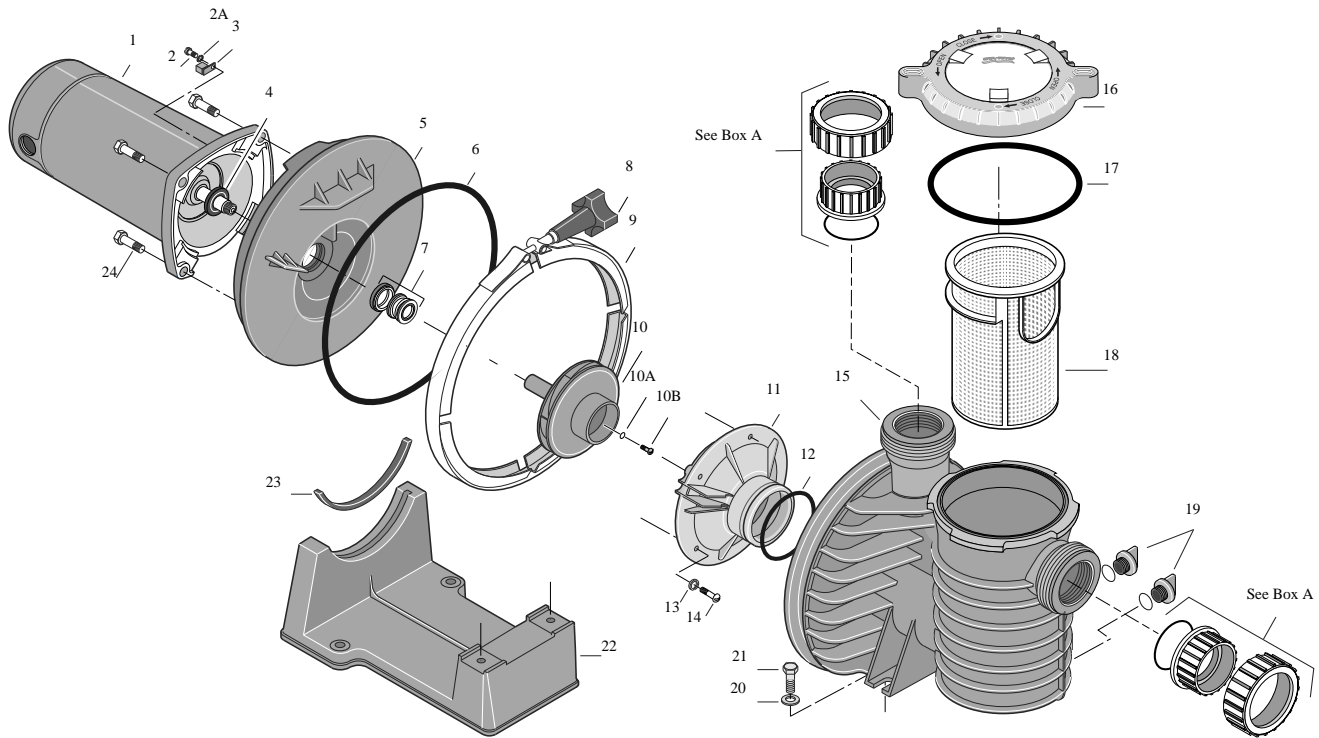
Includes 2 each:
U11-200P Union Collar
U9-362 O-Ring
U11-196P 2" Slip adapter or
U11-199P 2" NPT adapter.

Parts are common to all models listed except as noted;
Key Nos. 1, Motor; and 10, Impeller are listed below.

| Model No. | HP | Motor No. (Key No. 1) | Impeller No. (Key No. 10) |
|--------------------------------|-----|--------------------------|------------------------------|
| 115/230 Volt - 1 Phase | | | |
| 5P6R6D-209 | 3/4 | J218-574A | C105-238PF |
| 5P6R6E-210 | 1 | J218-575A | C105-238PG |
| 220-240/380-415 Volt - 3 Phase | | | |
| 5P6R6D3-209 | 3/4 | J218-815A | C105-238PFA |

• Not illustrated. * Three phase only.
** Includes Trap Cover, Trap Ring and Trap Cover O-Ring.

5P6R SERIES
50 Hz. MAX-E-PRO POOL PUMP
1-1/2 and 2 HP



REPAIR PARTS LIST

4285 1102

| Key No. | Part Description | Qty. | Part No. |
|------------|-----------------------------------|------|----------------|
| 1 | Motor | 1 | Chart at Right |
| 2 | #10-32 x 1/2" Screw | 1 | U30-692SS |
| 3 | Bonding Lug | 1 | U17-568 |
| 4 | Water Slinger | 1 | 17351-0009 |
| 5 | Seal Plate | 1 | C103-194P |
| 6 | O-Ring | 1 | U9-228A |
| 7 | Shaft Seal | 1 | 37400-0027S |
| 8 | Clamp | 1 | C19-37A |
| 9 | Clamp Knob | 1 | WC36-22 |
| 10 | Impeller | 1 | Chart at Right |
| 10A | Impeller O-Ring* | 1 | 35505-1426 |
| 10B | Impeller Screw* | 1 | 37337-6080 |
| 11 | Diffuser | 1 | C1-271P |
| 12 | Diffuser O-Ring | 1 | U9-374 |
| 13 | #8 Lock Washer | 5 | U43-21SS |
| 14 | #8 - 32 x 7/8" Screw | 5 | U30-542SS |
| 15 | Tank Body (BSP Threads) | 1 | 17307-0110W |
| 16 | Trap Cover** | 1 | 17307-0111S |
| 17 | Trap O-Ring | 1 | 35505-1440 |
| 18 | Basket | 1 | C8-58P |
| 19 | 1/4" NPT Drain Plug | 2 | U178-920P |
| 20 | Base Washer | 2 | U43-41SS |
| 21 | Base Screw | 2 | U30-918SS |
| 22 | Base w/Motor Pad | 1 | C104-78P |
| 23 | Motor Pad | 1 | C35-43 |
| 24 | 3/8-16 x 1" Hex Head Screw | 4 | U30-74SS |
| • | Motor Nameplate | 1 | 32155-7117 |
| • | Tag, "CAUTION" | | |
| 61002-0002 | | | |
| • | Tag, "CAUTION, WARNING (Bonding)" | | C63-12 |

Box A

For quick disconnect pipe connections, purchase separately:
Pkg. 188 2" Slip 1/2 Union Kit or
Pkg. 189 2" NPT 1/2 Union Kit.

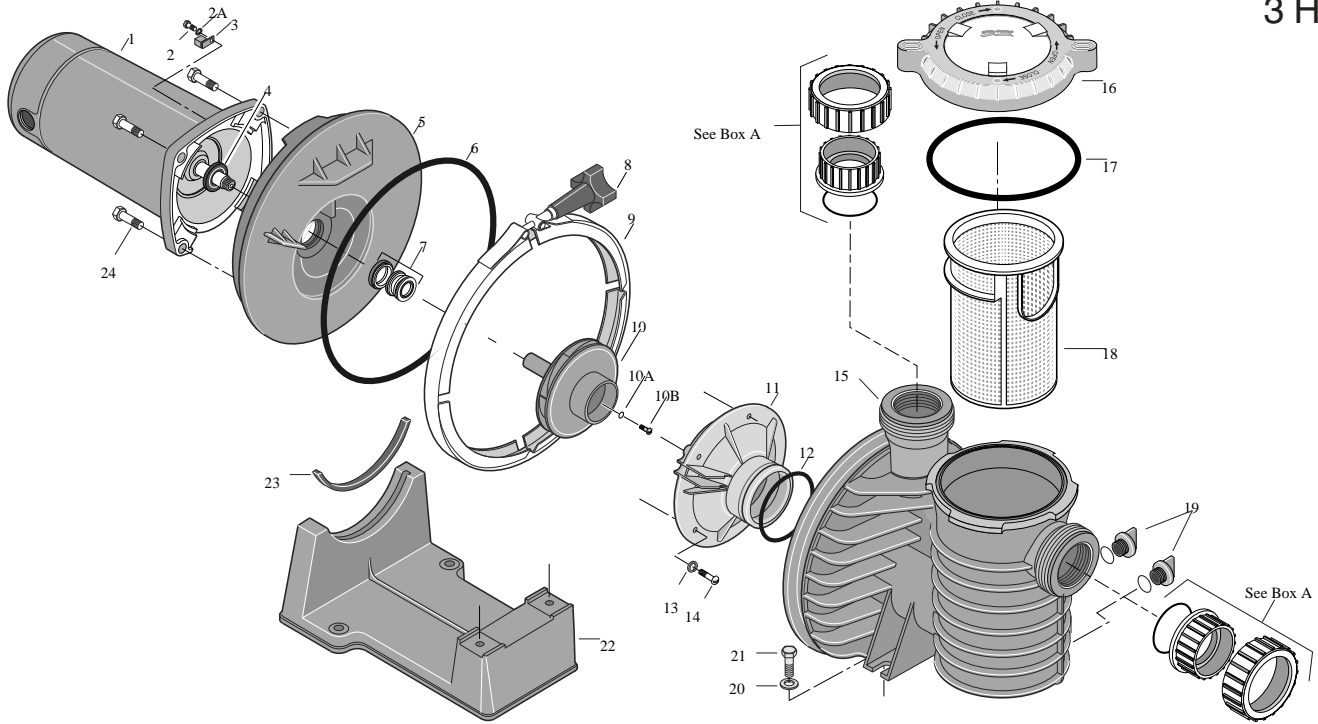
Includes 2 each:
U11-200P Union Collar
U9-362 O-Ring
U11-196P 2" Slip adapter or
U11-199P 2" NPT adapter.

Parts are common to all models listed except as noted;
Key Nos. 1, Motor; and 10, Impeller are listed below.

| Model No. | HP | Motor No. (Key No. 1) | Impeller No. (Key No. 10) |
|--------------------------------|-------|--------------------------|------------------------------|
| 115/230 Volt - 1 Phase | | | |
| 5P6R6F-211 | 1-1/2 | J218-864A | C105-238PEC |
| 230 Volt - 1 Phase | | | |
| 5P6R6G-212 | 2 | 62003-2075 | C105-238PLBA |
| 220-240/380-415 Volt - 3 Phase | | | |
| 5P6R6F3-211 | 1-1/2 | J218-817A | C105-238PECA |

• Not illustrated. * Not used by Model 5P6R6F-211.
** Includes Trap Cover, Trap Ring and Trap Cover O-Ring.

Model 5P6R6H-213 and 5P6R6H3-213
MAX-E-PRO POOL PUMP
3 HP



REPAIR PARTS LIST

4285 1102

| Key No. | Part Description | Qty. | Part No. |
|----------------|-------------------------------|------|-------------|
| 1 | Motor 230V/50H/1 Ph (5P4R6H) | 1 | 62003-2077 |
| 1 | Motor 220-240/380-415V/50H | | |
| 3 Ph (5P4R6H3) | | 1 | 62003-2078 |
| 2 | #10-32 x 1/2" Screw | 1 | U30-692SS |
| 3 | Bonding Lug | 1 | U17-568 |
| 4 | Water Slinger | 1 | 17351-0009 |
| 5 | Seal Plate | 1 | C103-194P |
| 6 | "O" Ring | 1 | U9-228A |
| 7 | Shaft Seal | 1 | 37400-0027S |
| 8 | Clamp | 1 | C19-37A |
| 9 | Clamp Knob | 1 | WC36-22 |
| 10 | Impeller | 1 | C105-238PHA |
| 10A | Impeller O-Ring | 1 | 35505-1426 |
| 10B | Impeller Screw | 1 | 37337-6081 |
| 11 | Diffuser | 1 | C1-271P |
| 12 | Diffuser O-Ring | 1 | U9-374 |
| 13 | #8 Lock Washer | 5 | U43-21SS |
| 14 | #8 - 32 x 1-1/8" Screw | 5 | U30-922SS |
| 15 | Tank Body (BSP Threads) | 1 | 17307-0110W |
| 16 | Trap Cover** | 1 | 17407-0111S |
| 17 | Trap O-Ring | 1 | 35505-1440 |
| 18 | Basket | 1 | C8-58P |
| 19 | 1/4" NPT Drain Plug | 2 | U178-920P |
| 20 | Base Washer | 2 | U43-41SS |
| 21 | Base Screw | 2 | U30-918SS |
| 22 | Base w/Motor Pad | 1 | C104-79P |
| 23 | Motor Pad | 1 | C35-43 |
| 24 | 3/8-16 x 1" Socket Head Screw | 4 | U30-99SS |
| • | Motor Nameplate | 1 | 32155-7117 |
| • | Tag, "CAUTION" | | |

Box A

For quick disconnect pipe connections, purchase separately:
Pkg. 188 2" Slip 1/2 Union Kit or
Pkg. 189 2" NPT 1/2 Union Kit.

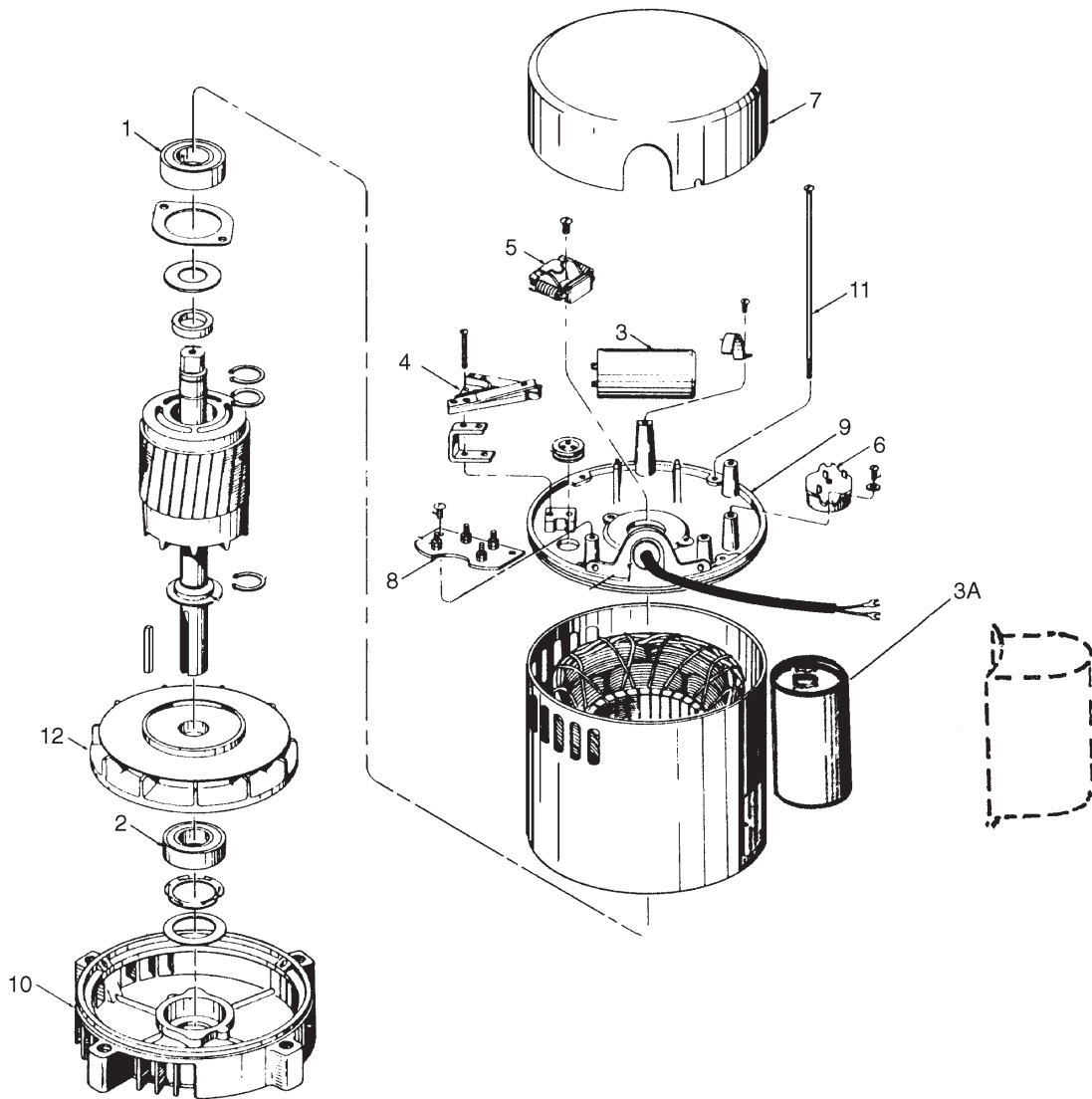
Includes 2 each:
U11-200P Union Collar
U9-362 O-Ring
U11-196P 2" Slip adapter or
U11-199P 2" NPT adapter.

61002-0002

• Not illustrated.

** Includes Trap Cover, Trap Ring and Trap Cover O-Ring.

TYPICAL A.O. SMITH MOTOR EXPLODED VIEW



| Item No. | Description | 115/230V 50Hz 1ph | | | 230V 50Hz 1ph | | 220-240/380-415V 50 Hz 3ph | | | | |
|----------|---------------------|---------------------|-------------------|-----------------------|--------------------|--------------------|----------------------------|-------------------|-----------------------|--------------------|--------------------|
| | | J218-574A 3/4 HP | J218-575A 1 HP | J218-864A 1-1/2 HP | 62001-1004 2 HP | 62001-1008 3 HP | J218-815A 3/4 HP | J218-816A 1 HP | J218-817A 1-1/2 HP | 62001-1005 2 HP | 62001-1009 3 HP |
| 1 | Bearing Switch End | U18-1161 | U18-1161 | U18-1161 | U18-1161 | U18-1161 | U18-1161 | U18-1161 | U18-1161 | U18-1161 | U18-1161 |
| 2 | Bearing Shaft End | U18-1161 | U18-1161 | U18-271 | U18-271 | U18-271 | U18-1161 | U18-1161 | U18-1161 | U18-271 | U18-271 |
| 3 | Start Capacitor | U18-526 | U18-526 | U18-525 | U18-1399 | U18-1512 | - | - | - | - | - |
| 3A | Run Capacitor | - | - | - | U18-1403 | U18-1388 | - | - | - | - | - |
| 4 | Contactor | U18-1098 | U18-1098 | U18-1098 | U18-1529 | U18-1529 | - | - | - | - | - |
| 5 | Governor | U18-253 | U18-253 | U18-253 | U18-253 | U18-253 | - | - | - | - | - |
| 6 | Overload Protector | U18-983 | U18-1137 | U18-1139 | 599-13096 | 599-13698 | - | - | - | - | - |
| 7 | Canopy | U18-1235 | U18-1235 | U18-1235 | U18-1235 | U18-1288 | U18-1235 | U18-1235 | U18-1235 | U18-1235 | U18-1288 |
| 8 | Terminal Board | U18-1180 | U18-1180 | U18-1180 | U18-1457 | U18-1457 | - | - | - | - | - |
| 9 | End Bell Switch End | U18-1289 | U18-1289 | U18-1289 | U18-1282 | U18-1293 | U18-1289 | U18-1289 | U18-1289 | U18-1289 | U18-1293 |
| 10 | End Bell Shaft End | U18-1290 | U18-1290 | U18-1419 | U18-1419 | U18-1551 | U18-1290 | U18-1290 | U18-1290 | U18-1419 | U18-1551 |
| 11* | Thru-bolts | U18-1345 | U18-1345 | U18-1345 | 599-13095 | 599-13533 | U18-1345 | U18-1345 | U18-1345 | 599-13095 | 599-13533 |
| 12 | Fan | U18-1436 | U18-1436 | U18-1436 | U18-1404 | 599-13170 | U18-1436 | U18-1436 | U18-1436 | U18-1404 | 599-13170 |

* Service Kit - 48 assorted bolts per kit. • Not illustrated.