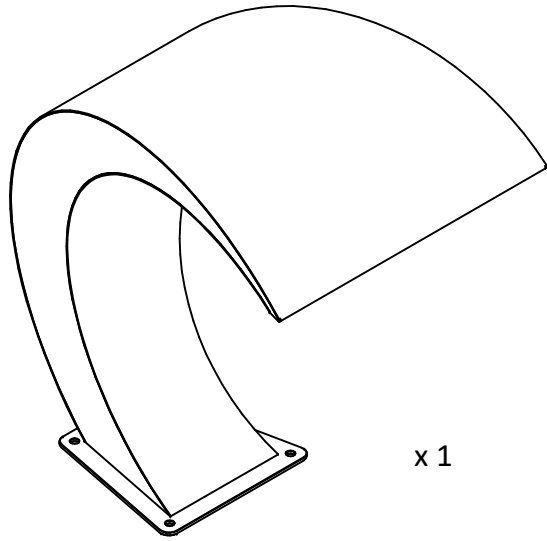
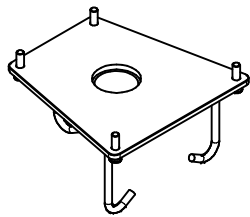


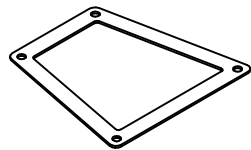
**ASSEMBLY INSTRUCTIONS**  
WATER CURTAIN IOS / ANCHOR FOR WATER CURTAIN IOS



x 1



x 1



x 1

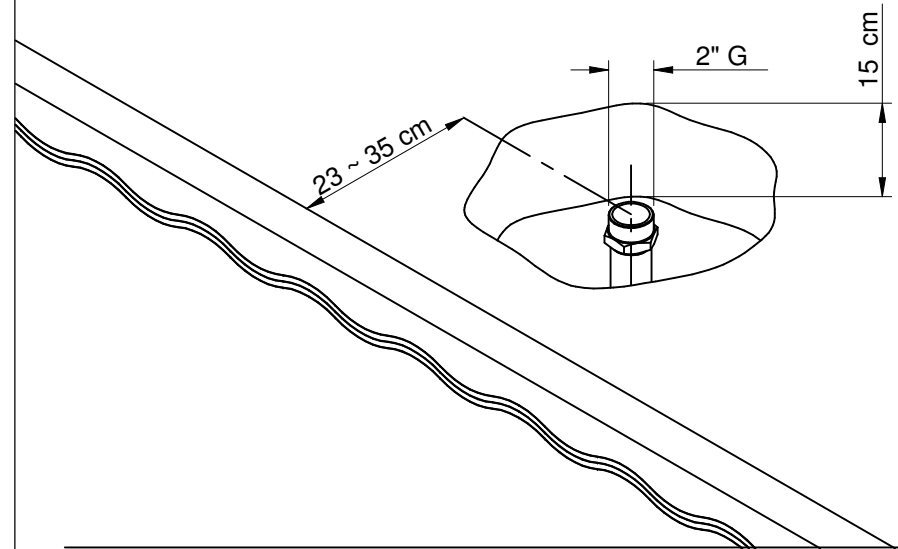


x 4

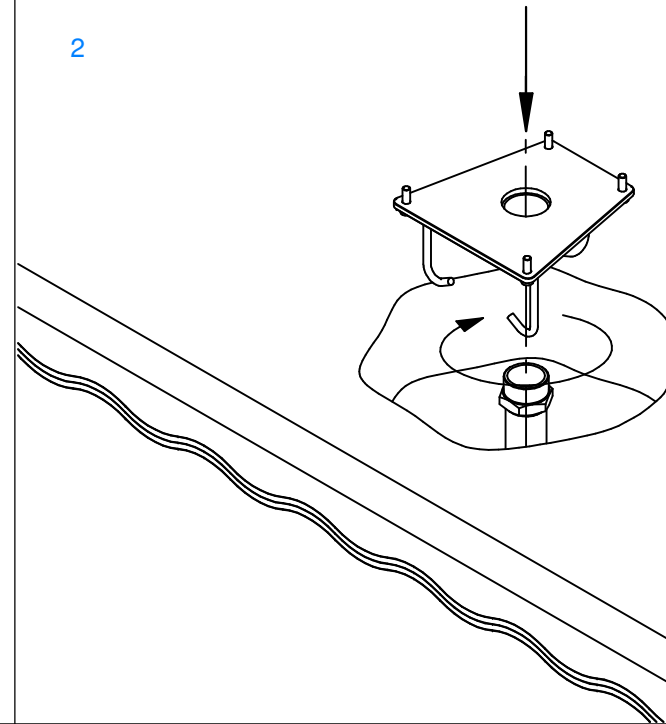


x 4

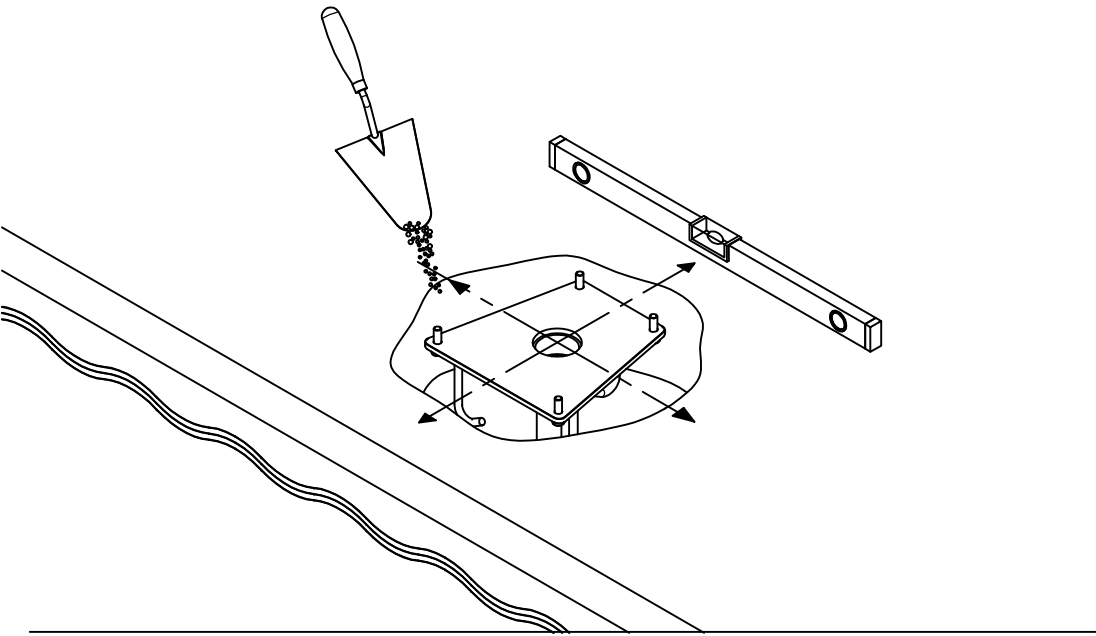
1



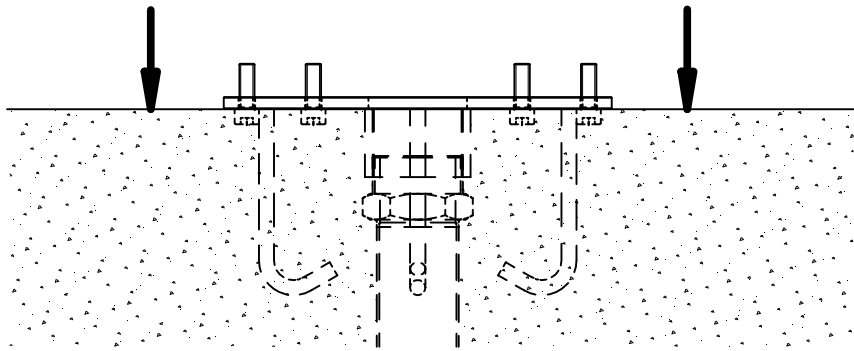
2



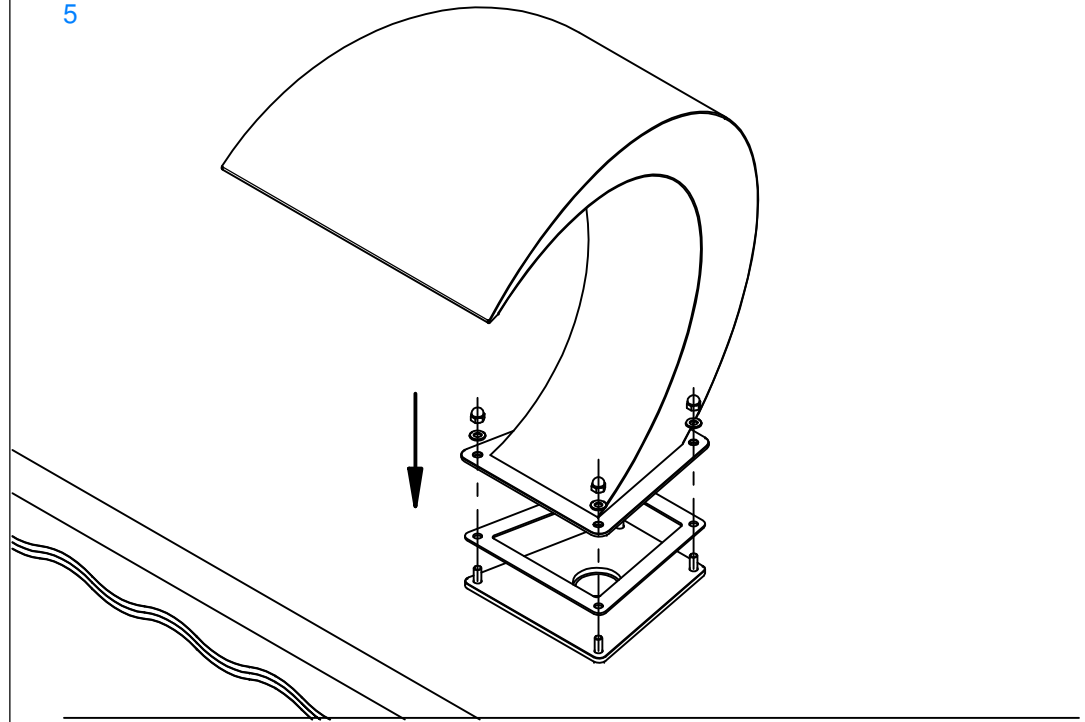
3



4



5



6

