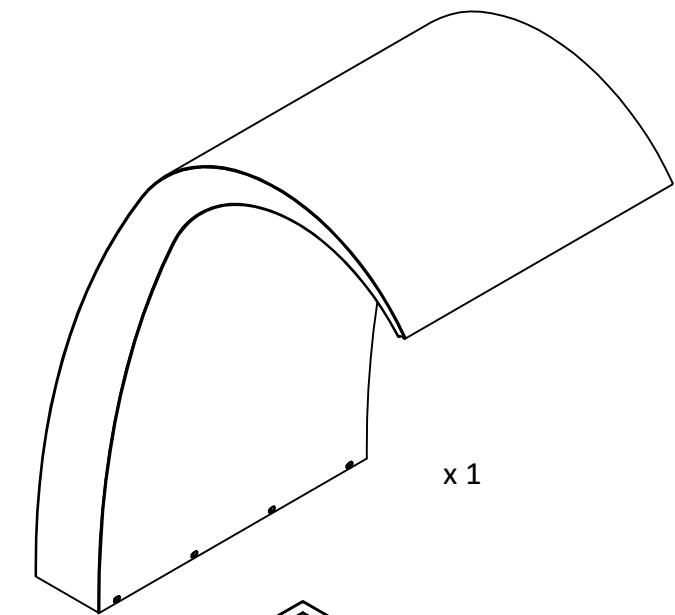
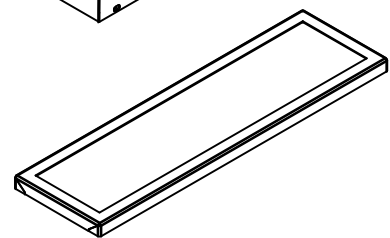




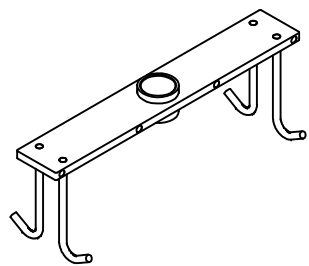
**ASSEMBLY INSTRUCTIONS**  
WATER CURTAIN ANDROS & TINOS



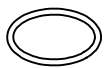
x 1



x 1



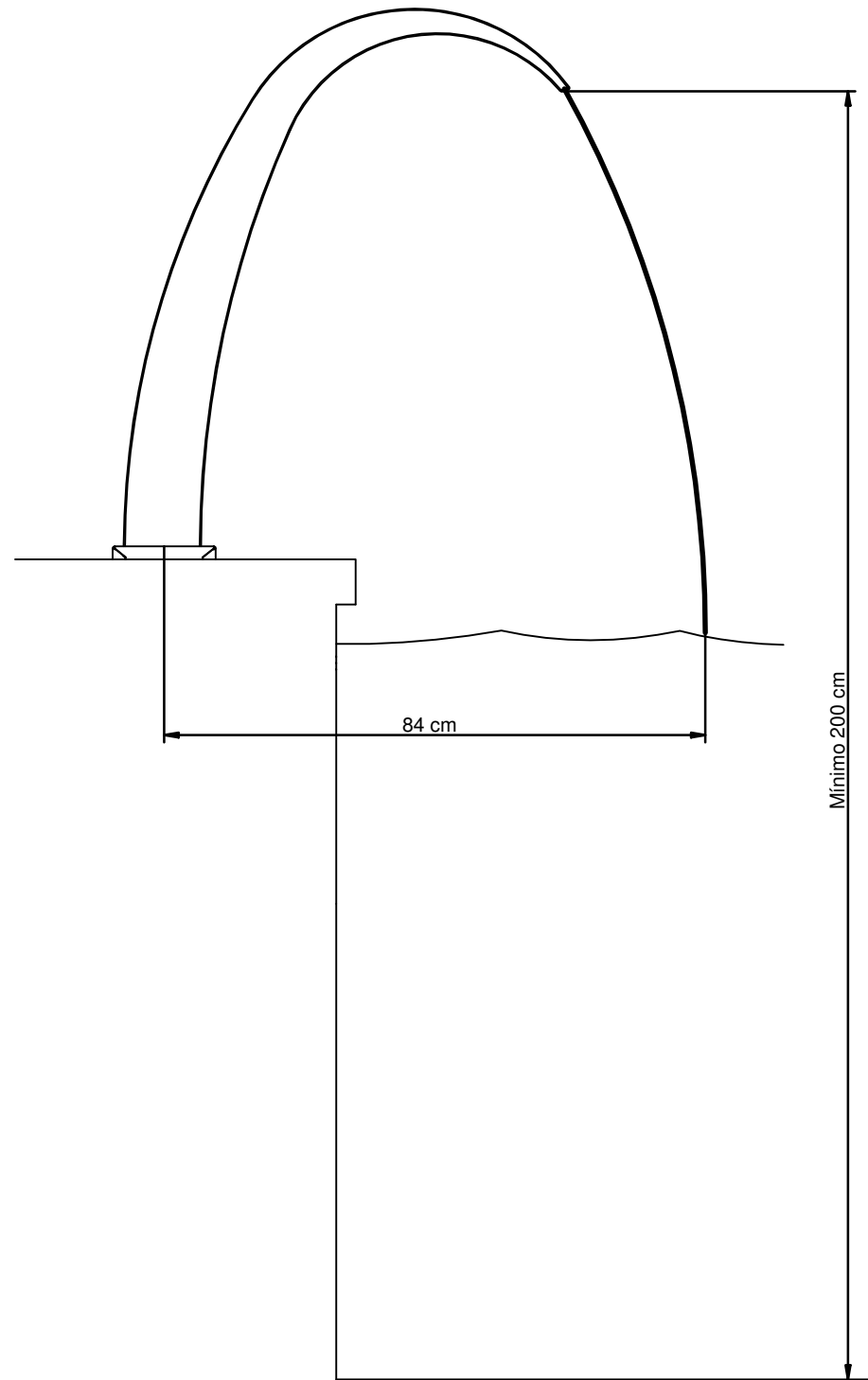
x 1



x 1



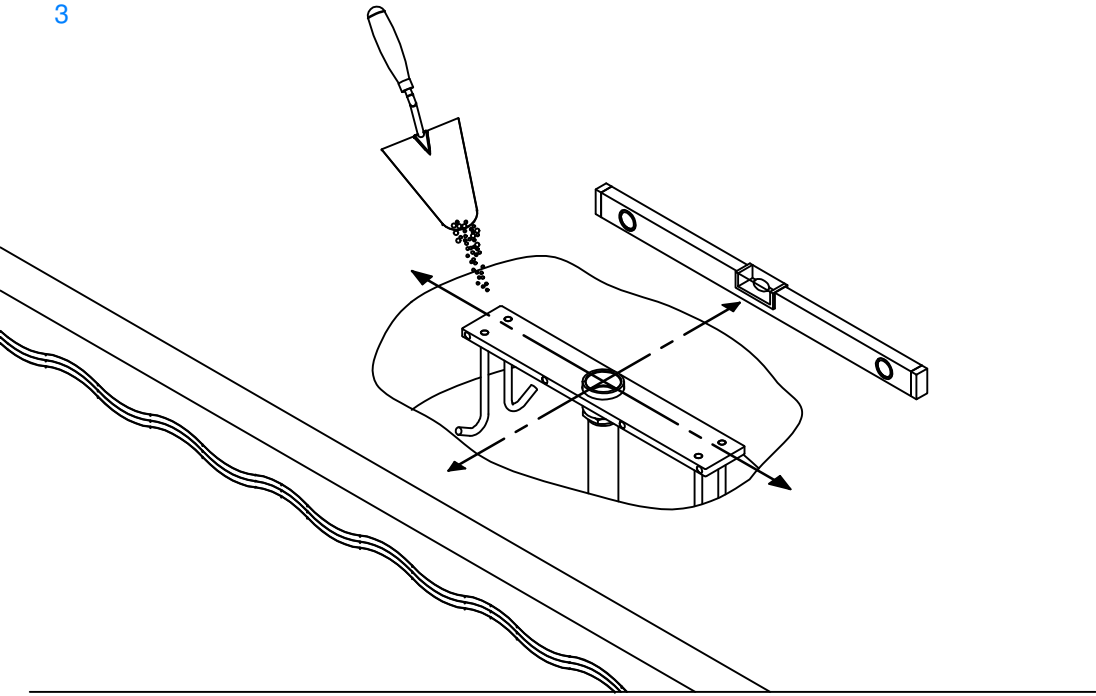
x 8



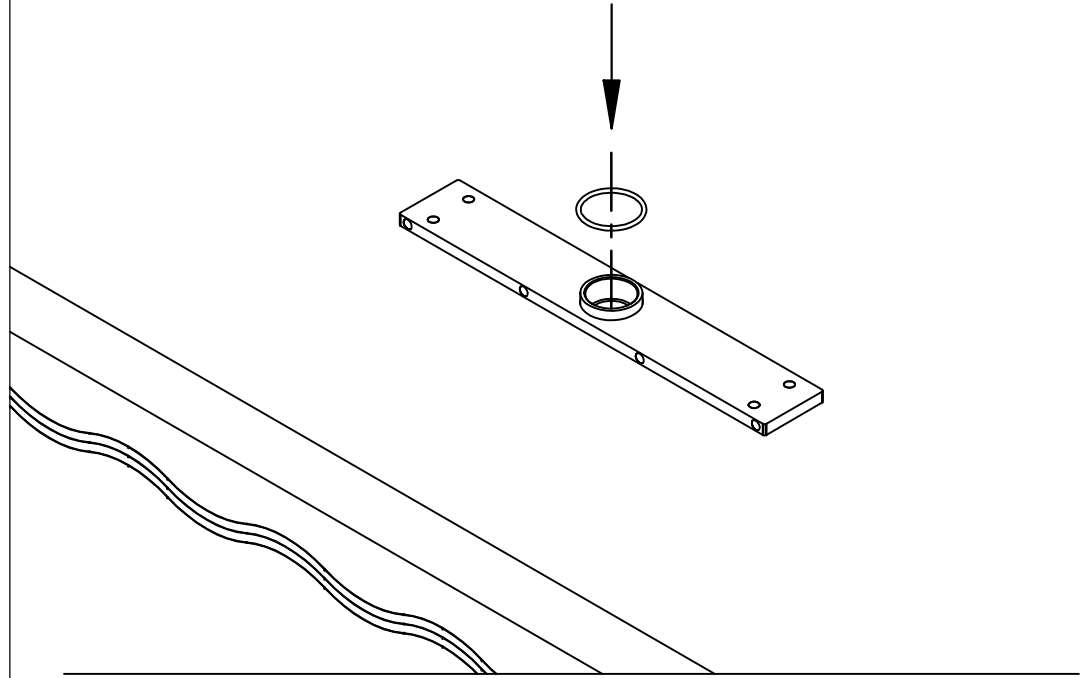
84 cm

Mínimo 200 cm

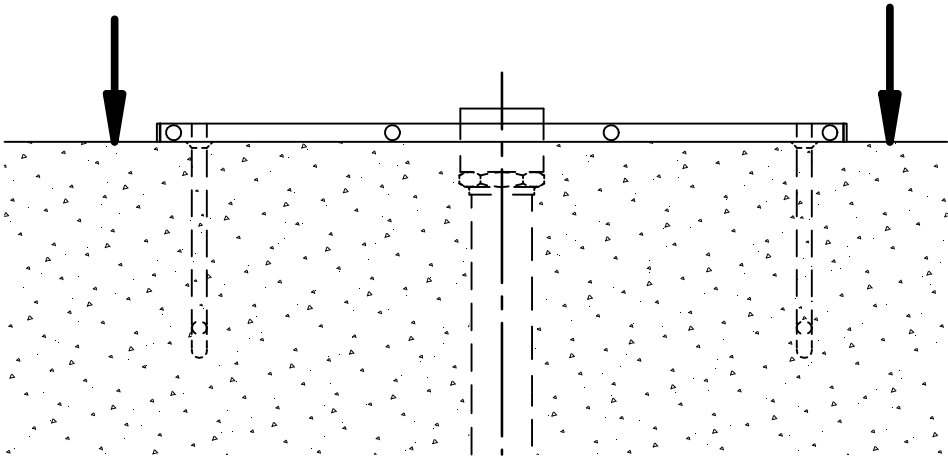
3



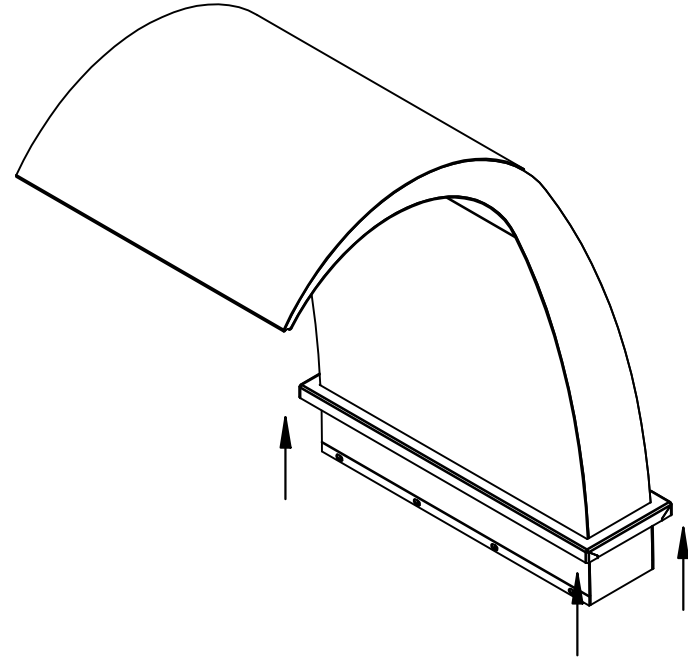
5



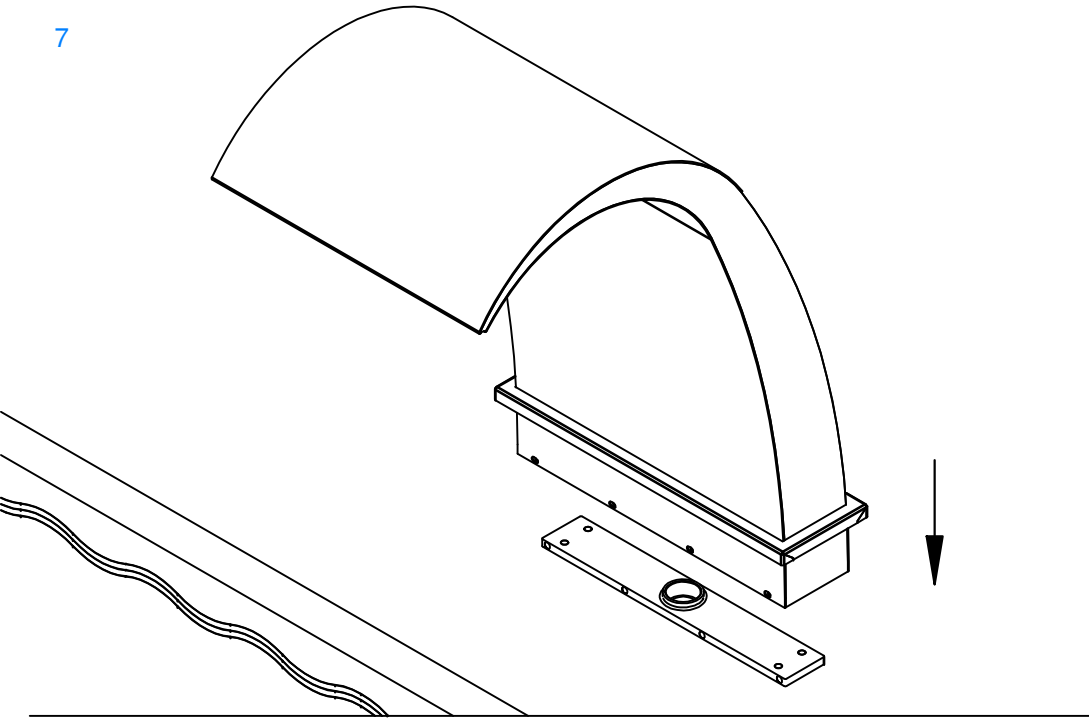
4



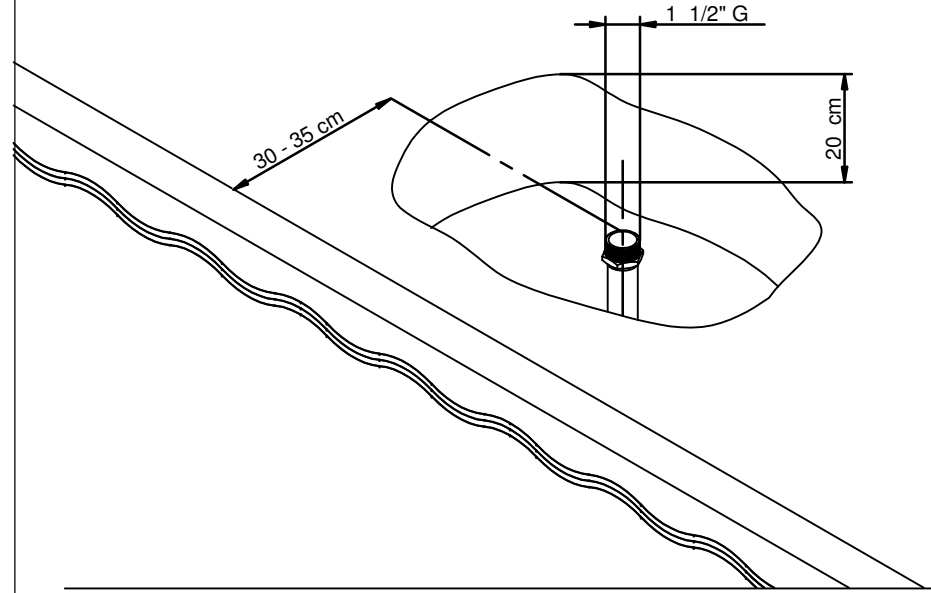
6



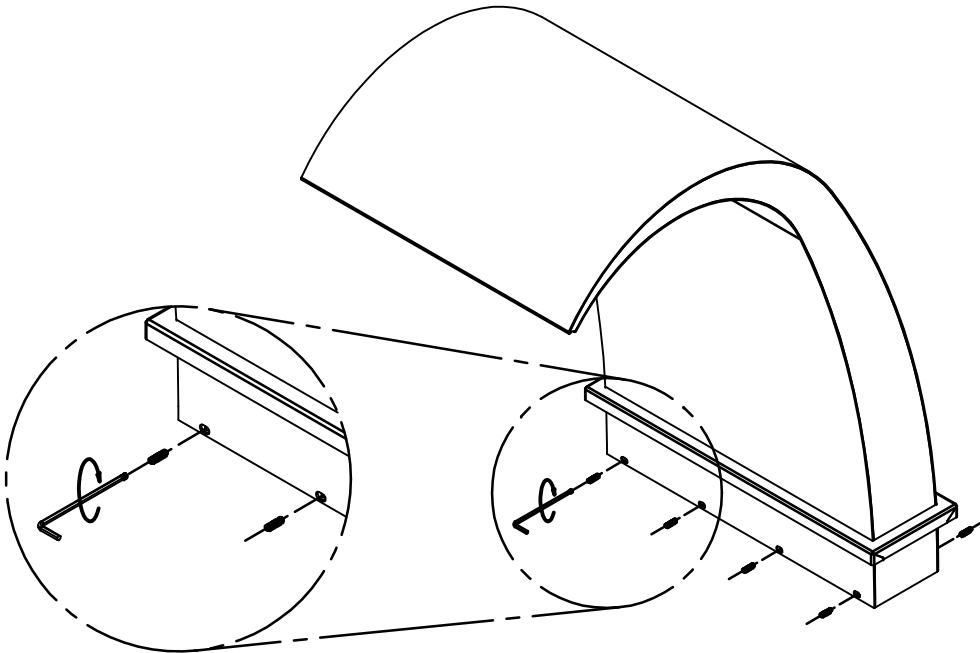
7



1



8



2

